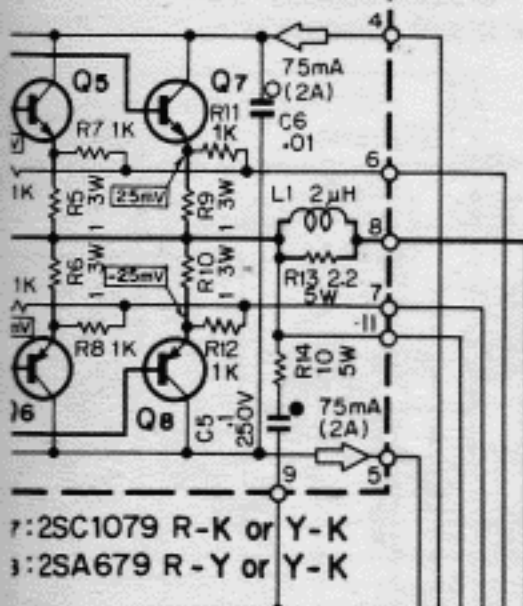
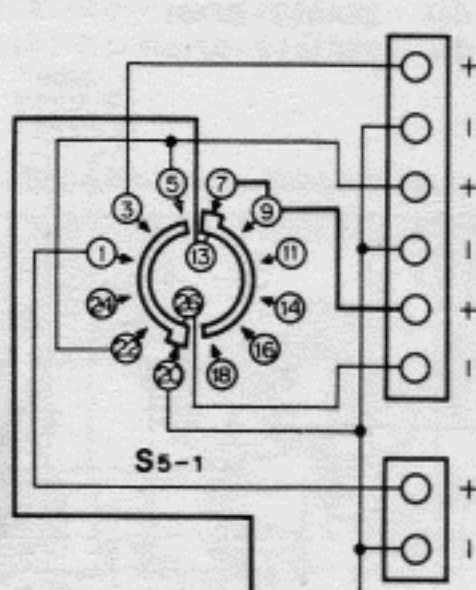


01-00  
 D1,2: CZ057  
 D3,4: 1S2091  
 D5,6: 1S1555

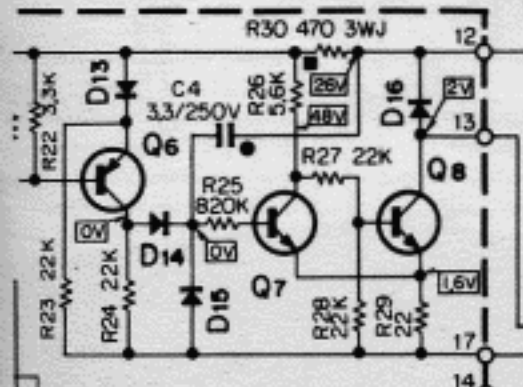
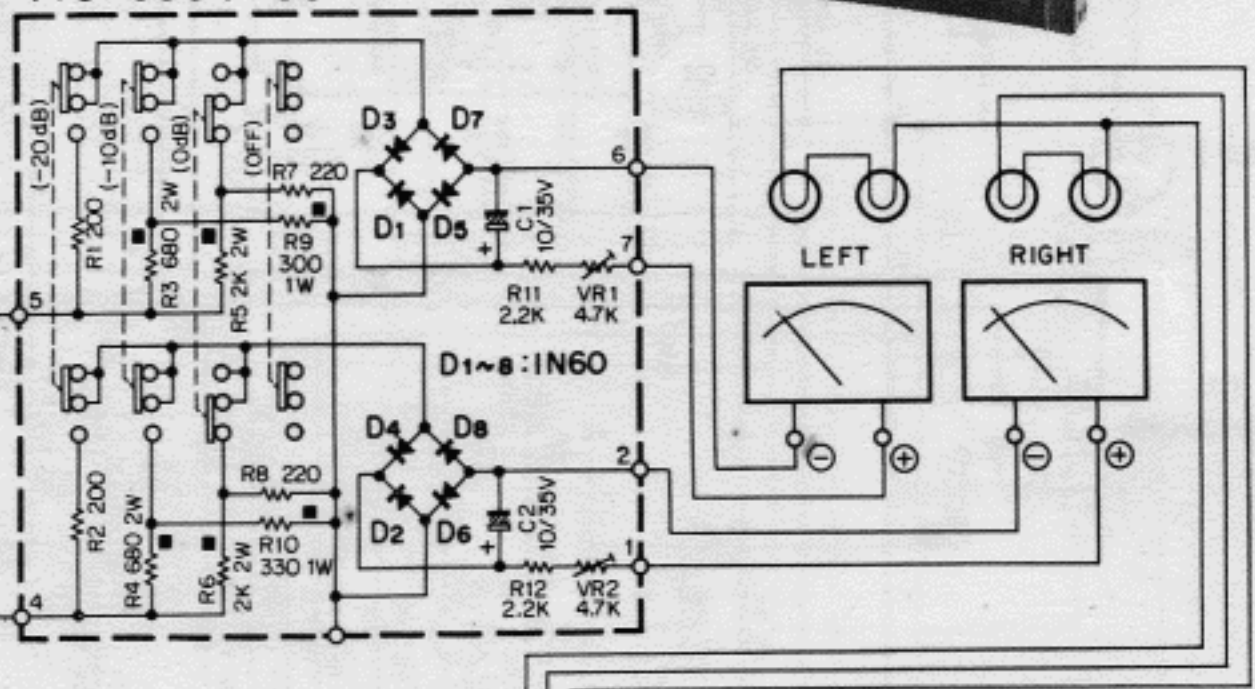


7: 2SC1079 R-K or Y-K  
 8: 2SA679 R-Y or Y-K

- NOTES
- : CERAMIC CAPACITORS
  - ⊖ : MICA CAPACITORS
  - ⊗ : TANTALUM SOLID CAPACITORS
  - : METALISED FILM CAPACITORS
  - ⊕ : POLYSTYRENE FILM CAPACITORS
  - ⊙ : MYLAR FILM CAPACITORS
  - : METAL FILM RESISTORS
  - : OXID METAL FILM RESISTORS
  - ⊠ : CEMENT COATED WIRE WOUND RESISTORS
  - ⊡ : CEMENT COATED METAL PLATE RESISTORS
- Unless otherwise specified, Capacitors are ELECTROLYTIC Types. Resistors are CARBON FILM Types, 1/2 watt and 1% tolerance.



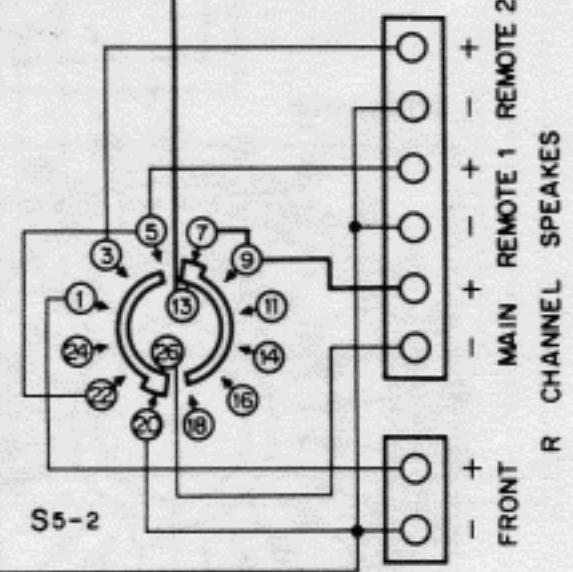
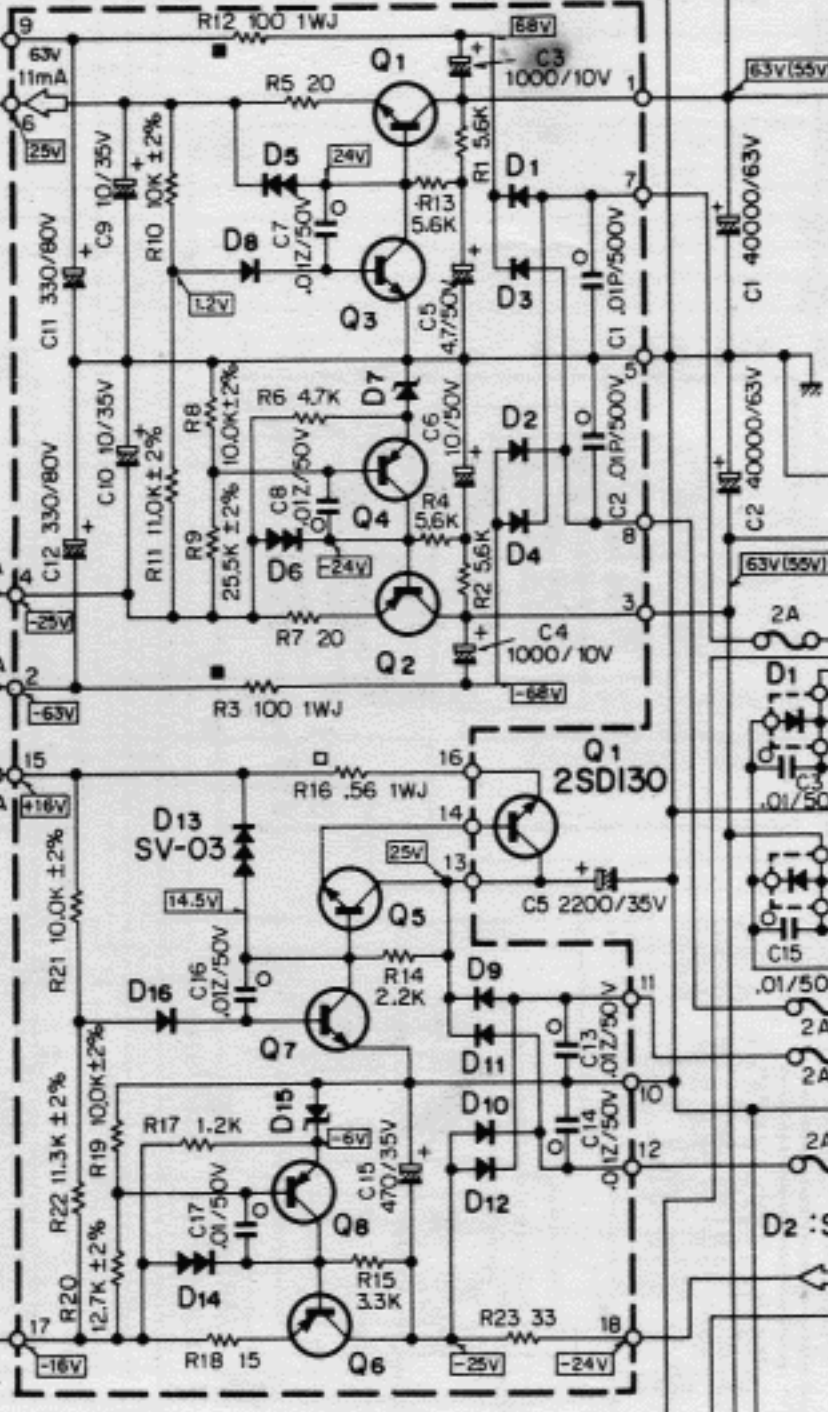
716-0004-00



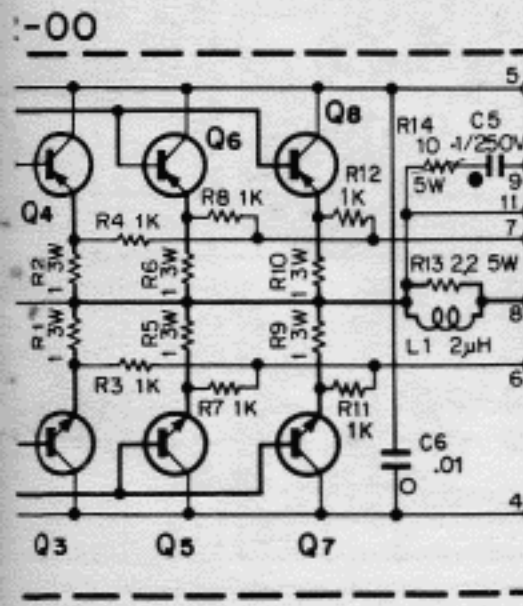
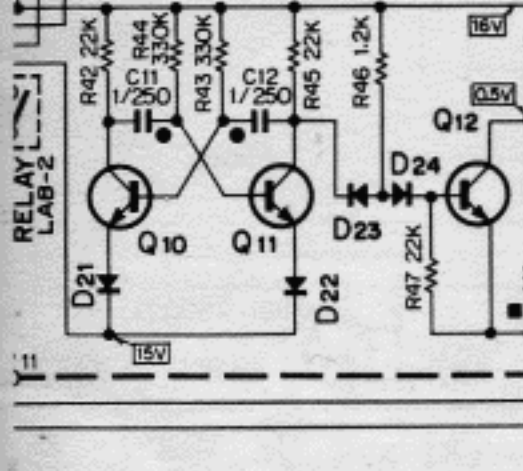
RELAY 1

MM 2X

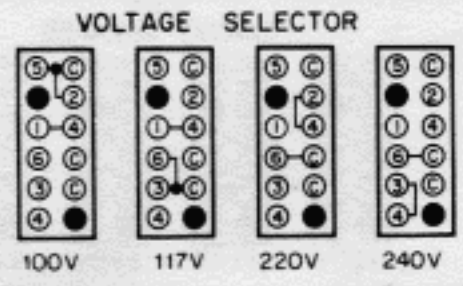
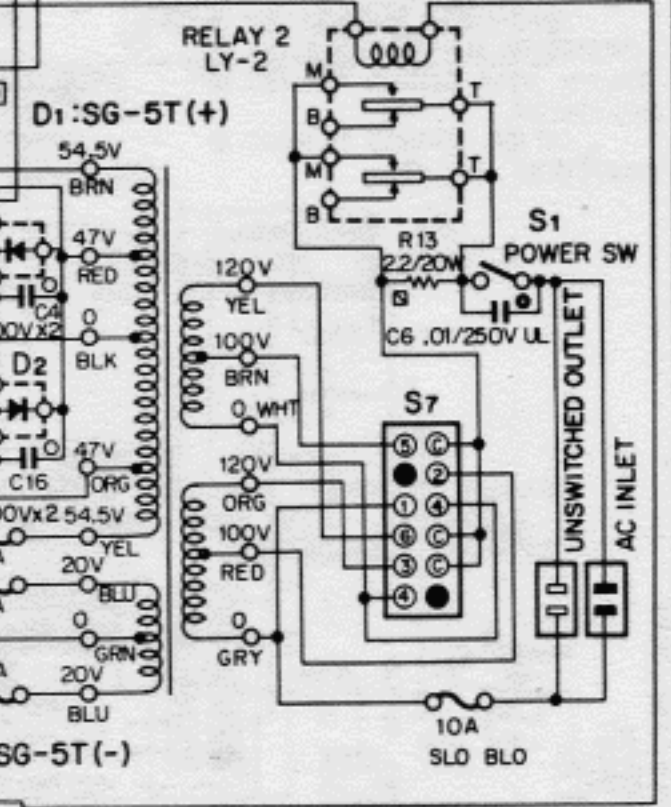
719-0002-00



D1, 2, 9, 10, 13, 14 : 1S1555  
 D3-6, 11, 12, 15 : 1S1553  
 D7, 8, 16 : 1S2091-BL



Q3,5,7: 2SC1079 R-K or Y-K  
 Q4,6,8: 2SA679 R-Y or Y-K

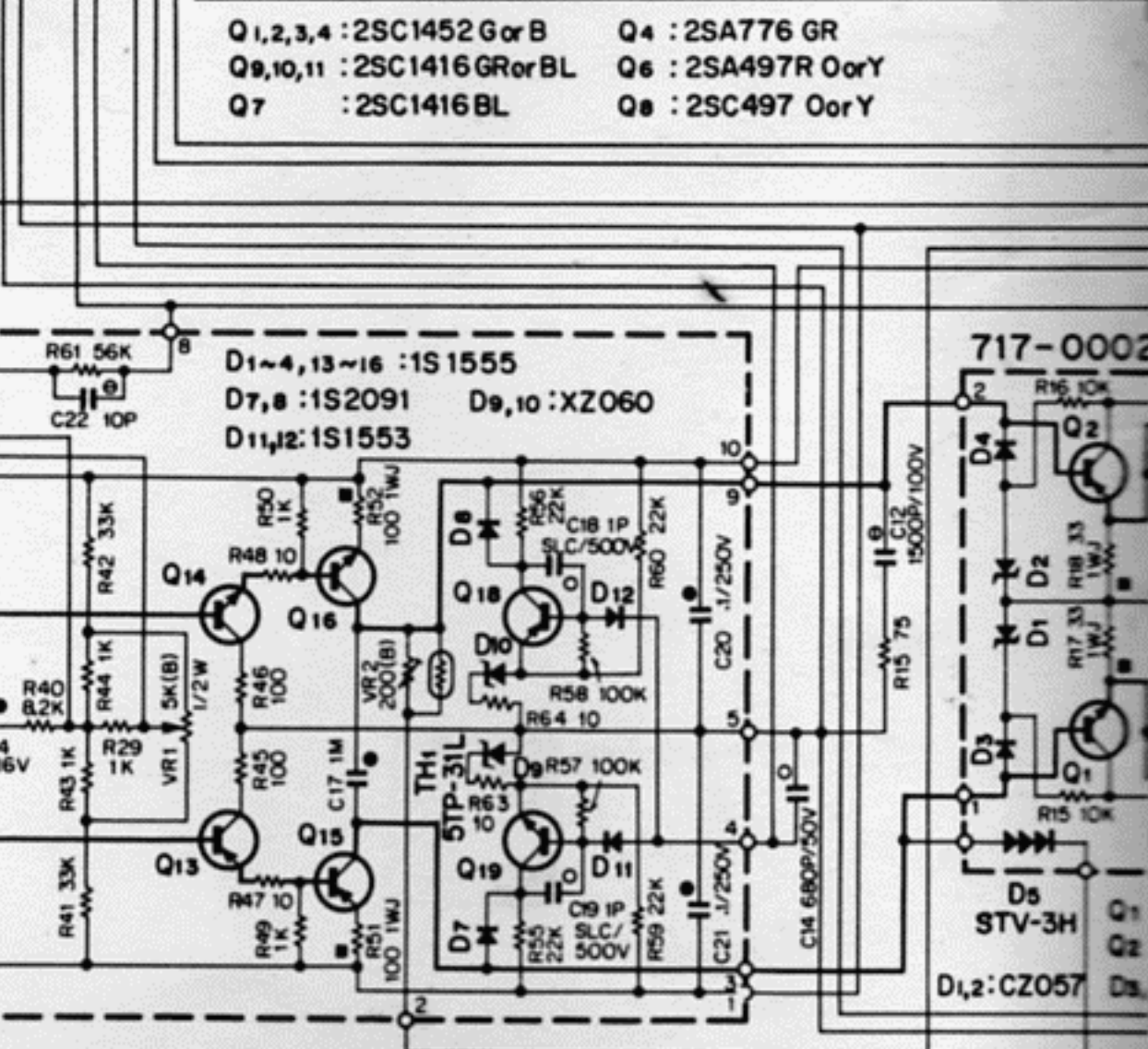
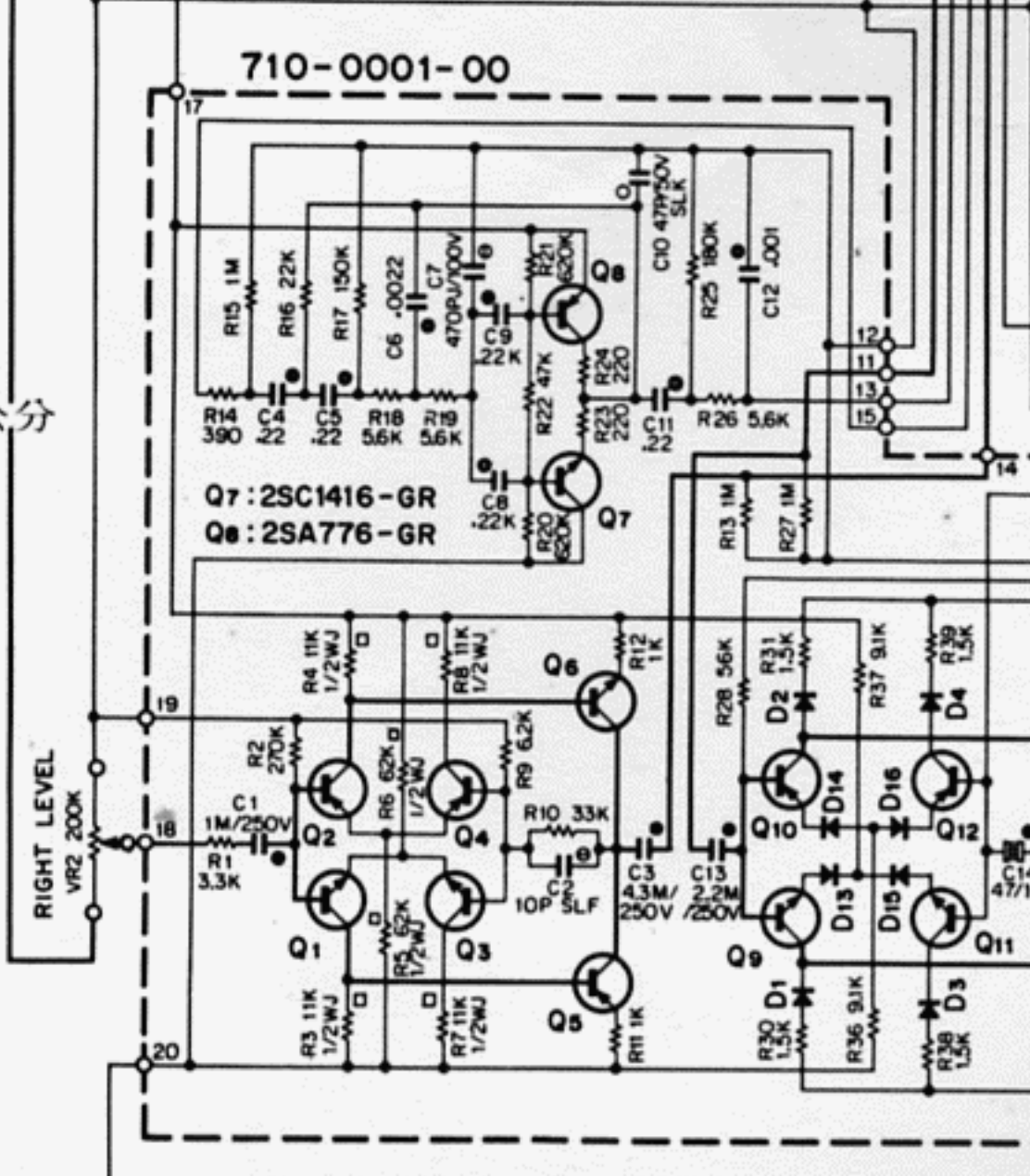
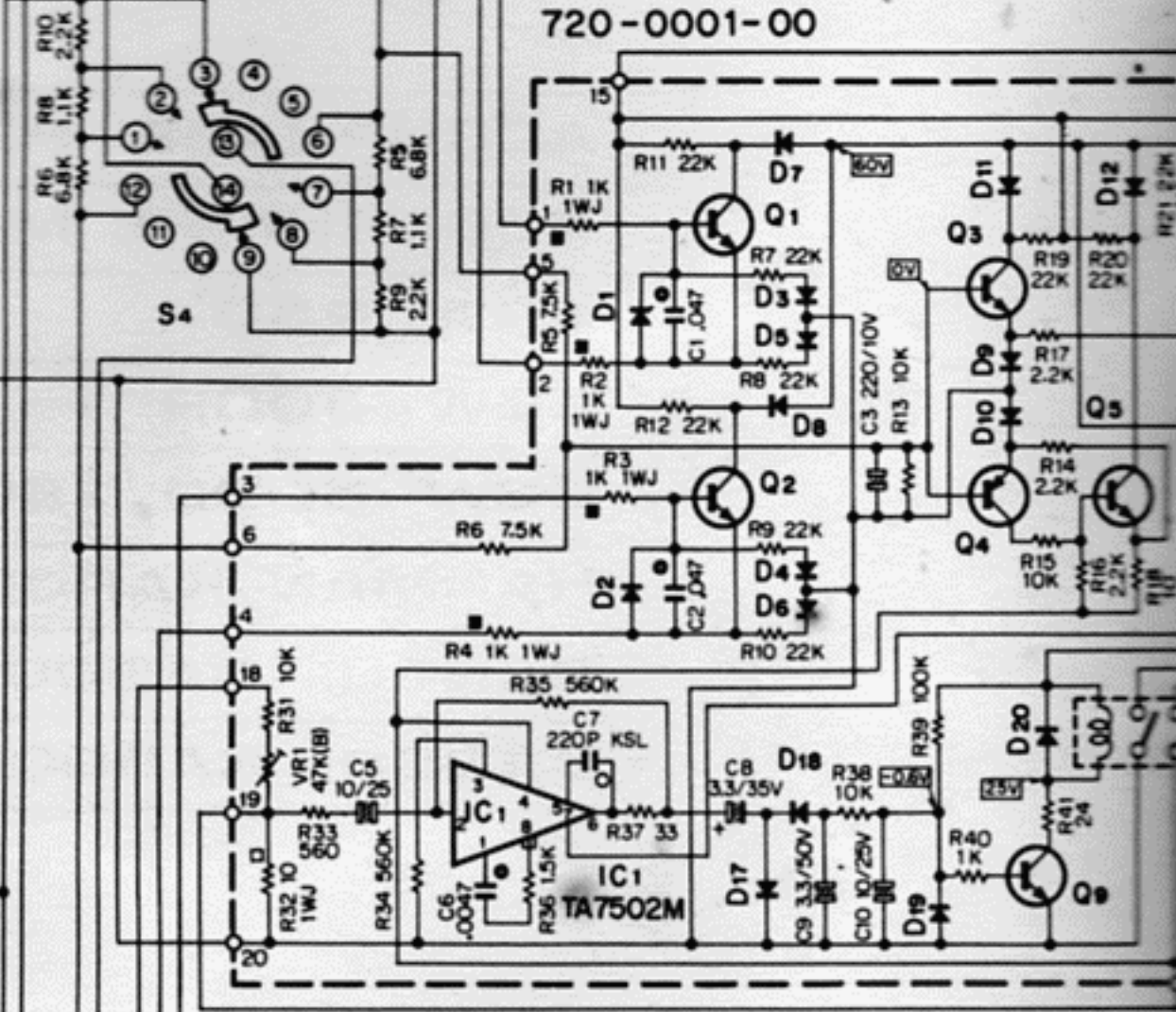
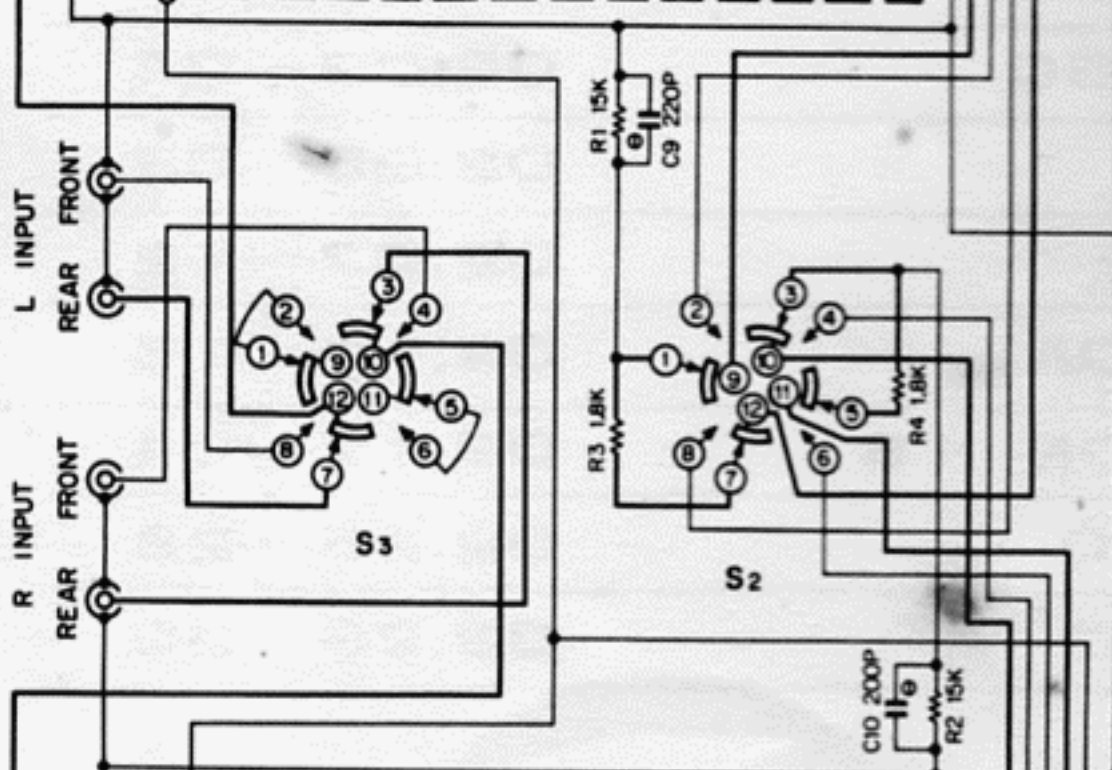
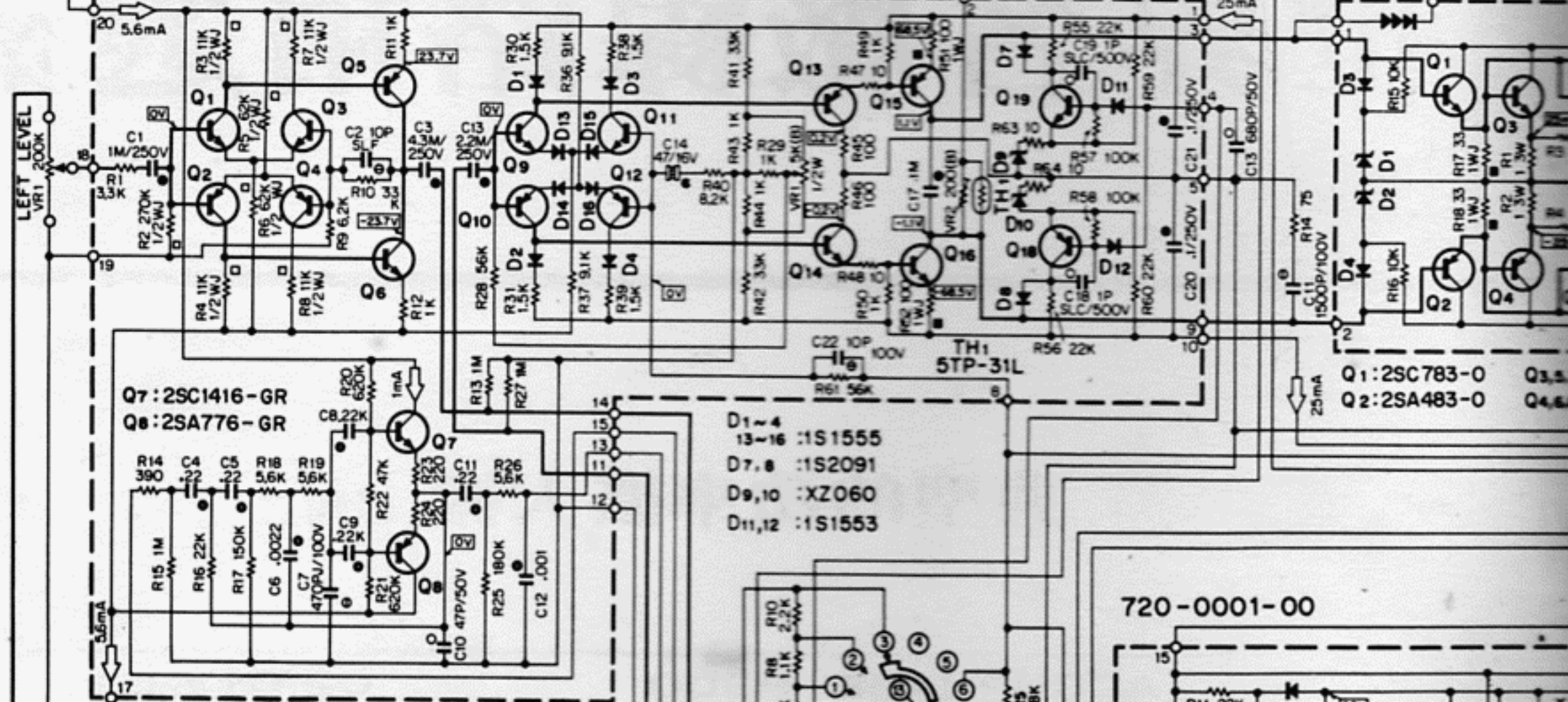


- Q1 : 2SC789 O or Y
- Q2 : 2SA489 O or Y
- Q3,5 : 2SC1166 O or Y
- Q4 : 2SA661 O or Y
- Q6 : 2SB435 O or Y
- Q7 : 2SC1416 GR or BL
- Q8 : 2SA776 GR or BL
- D1~4 : 1GZ061
- D5,6,14 : SV-02
- D7,15 : XZ060
- D8,16 : 1S1555
- D9~12 : 1BZ061

Q1,3,6 :2SC1416A-GR Q2,4,5:2SA776A-GR Q9,11:2SC497-Y Q10,12:2SA497-Y Q13,18:2SA497-0

710-0001-00 Q14,19:2SC497-0 Q15:2SA762-2-2 Q16:2SC1431-2-2

717-00



Q1,3,6 :2SC1416A-GR Q9,11 :2SC497-Y Q13,18 :2SA497-0 Q15 :2SA762-2-2  
Q2,4,5 :2SA776A-GR Q10,12:2SA497-Y Q14,19 :2SC497-0 Q16:2SC1431-2-2