

HITACHI

SM 00025



SERVICE MANUAL

CAUTION:

Before servicing this chassis, it is important that the service technician read the "Safety Precautions" and "Product Safety Notices" in this service manual.

C28WF523N
C32WF523N
C32WF720N
C32WF727N
C32WF810N
C36WF810N
C36WF830N
CL28WF720AN
CL32WF720AN
CL32WF720AND
CL32WF727N
CL32WF810AN
CL36WF810AN
CL36WF830AN
D36WF840N

Data contained within this Service manual is subject to alteration for improvement.

December 1999


ENGLISH

SAFETY PRECAUTIONS

WARNING: The following precautions must be observed.

ALL PRODUCTS

Before any service is performed on the chassis an isolation transformer should be inserted between the power line and the product.

1. When replacing the chassis in the cabinet, ensure all the protective devices are put back in place.
2. When service is required, observe the original lead dressing. Extra precaution should be taken to ensure correct lead dressing in any high voltage circuitry area.
3. Many electrical and mechanical parts in HITACHI products have special safety related characteristics. These characteristics are often not evident from visual inspection, nor can the protection afforded by them necessarily be obtained by using replacement components rated for higher voltage, wattage, etc. Replacement parts which have these special safety characteristics are identified by marking with a  on the schematics and the replacement parts list.
The use of a substitute replacement component that does not have the same safety characteristics as the HITACHI recommended replacement one, shown in the parts list, may create electrical shock, fire, X-radiation, or other hazards.
4. Always replace original spacers and maintain lead lengths. Furthermore, where a short circuit has occurred, replace those components that indicate evidence of overheating.
5. Insulation resistance should not be less than 2M ohms at 500V DC between the main poles and any accessible metal parts.
6. No flashover or breakdown should occur during the dielectric strength test, applying 3kV AC or 4.25kV DC for two seconds between the main poles and accessible metal parts.
7. Before returning a serviced product to the customer, the service technician must thoroughly test the unit to be certain that it is completely safe to operate without danger of electrical shock. The service technician must make sure that no protective device built into the instrument by the manufacturer has become defective, or inadvertently damaged during servicing.

CE MARK

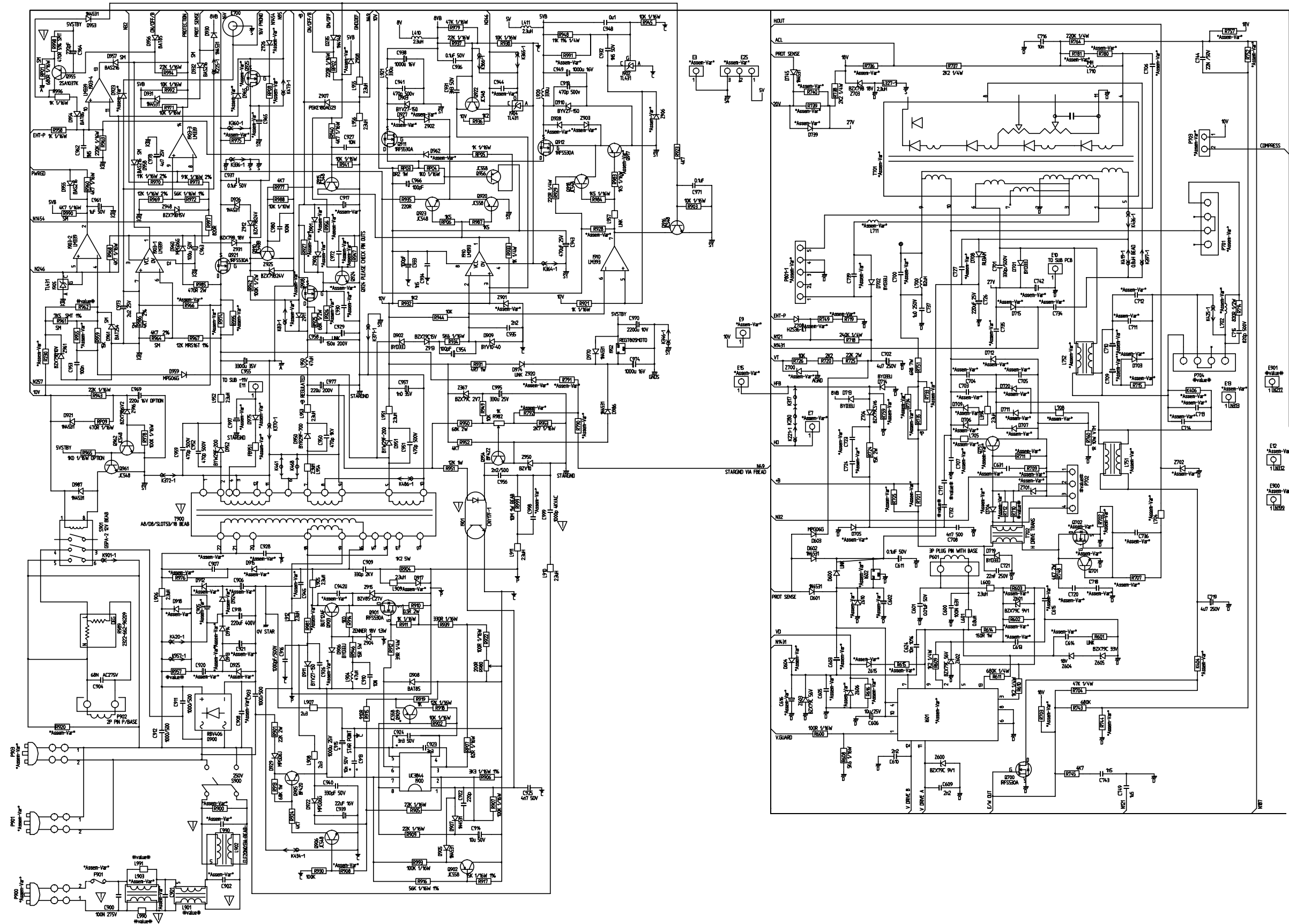
1. HITACHI products may contain the CE mark on the rating plate indicating that the product contains parts that have been specifically approved to provide electromagnetic compatibility to designated levels.
2. When replacing any part in this product, please use only the correct part itemised in the parts list to ensure this standard is maintained, and take care to replace lead dressing to its original state, as this can have a bearing on the electromagnetic radiation/immunity.

PICTURE TUBE

1. The line output stage can develop voltages in excess of 25kV; if the E.H.T. cap is required to be removed, discharge the anode to chassis via a high value resistor, prior to its removal from the picture tube.
2. High voltage should always be kept at the rated value of the chassis and no higher. Operating at higher voltages may cause a failure of the picture tube or high voltage supply, and also, under certain circumstances could produce X-radiation levels moderately in excess of design levels. The high voltage must not, under any circumstances, exceed 29kV on the chassis (except for projection Televisions).
3. The primary source of X-radiation in the product is the picture tube. The picture tube utilised for the above mentioned function in this chassis is specially constructed to limit X-radiation. For continued X-radiation protection, replace tube with the same type as the original HITACHI approved type
4. Keep the picture tube away from the body while handling. Do not install, remove, or handle the picture tube in any manner unless shatterproof goggles are worn. People not so equipped should be kept away while picture tubes are handled

LASERS

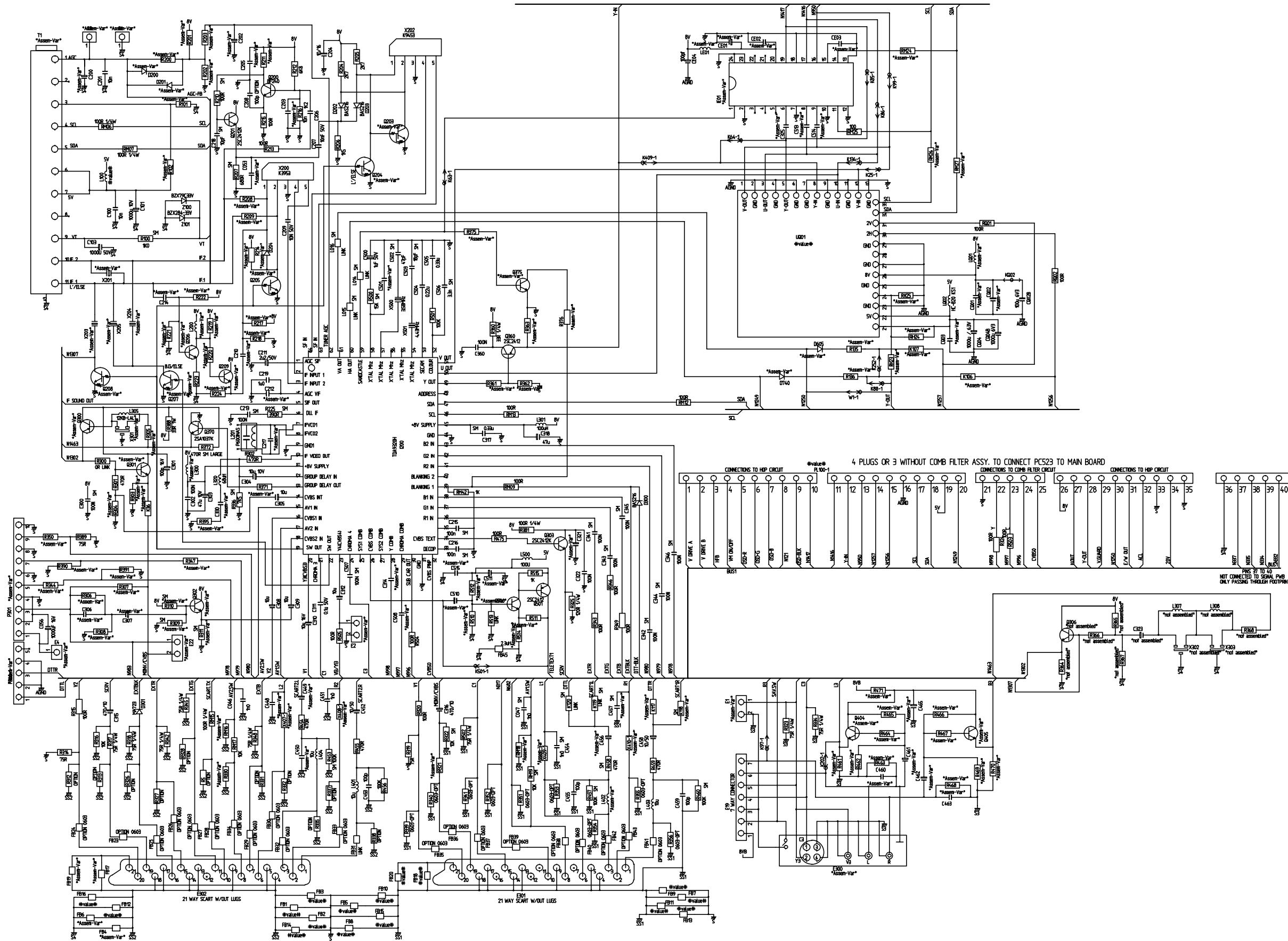
If the product contains a laser avoid direct exposure to the beam when the cover is open or when interlocks are defeated or have failed.



No 00025

MAIN BOARD SCHEMATIC (1 of 3)

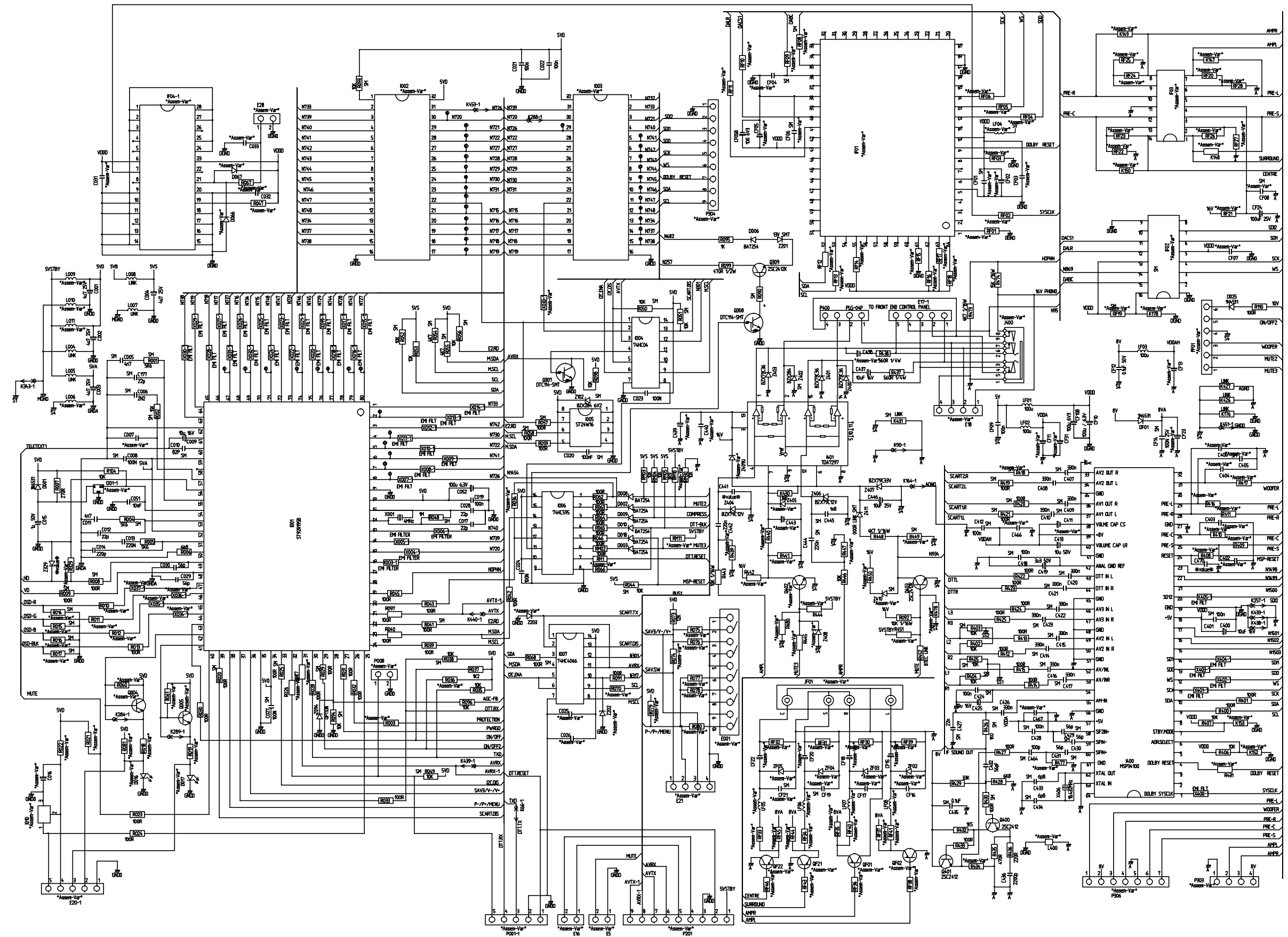
HITACHI



No 00025

MAIN BOARD SCHEMATIC (2 of 3)

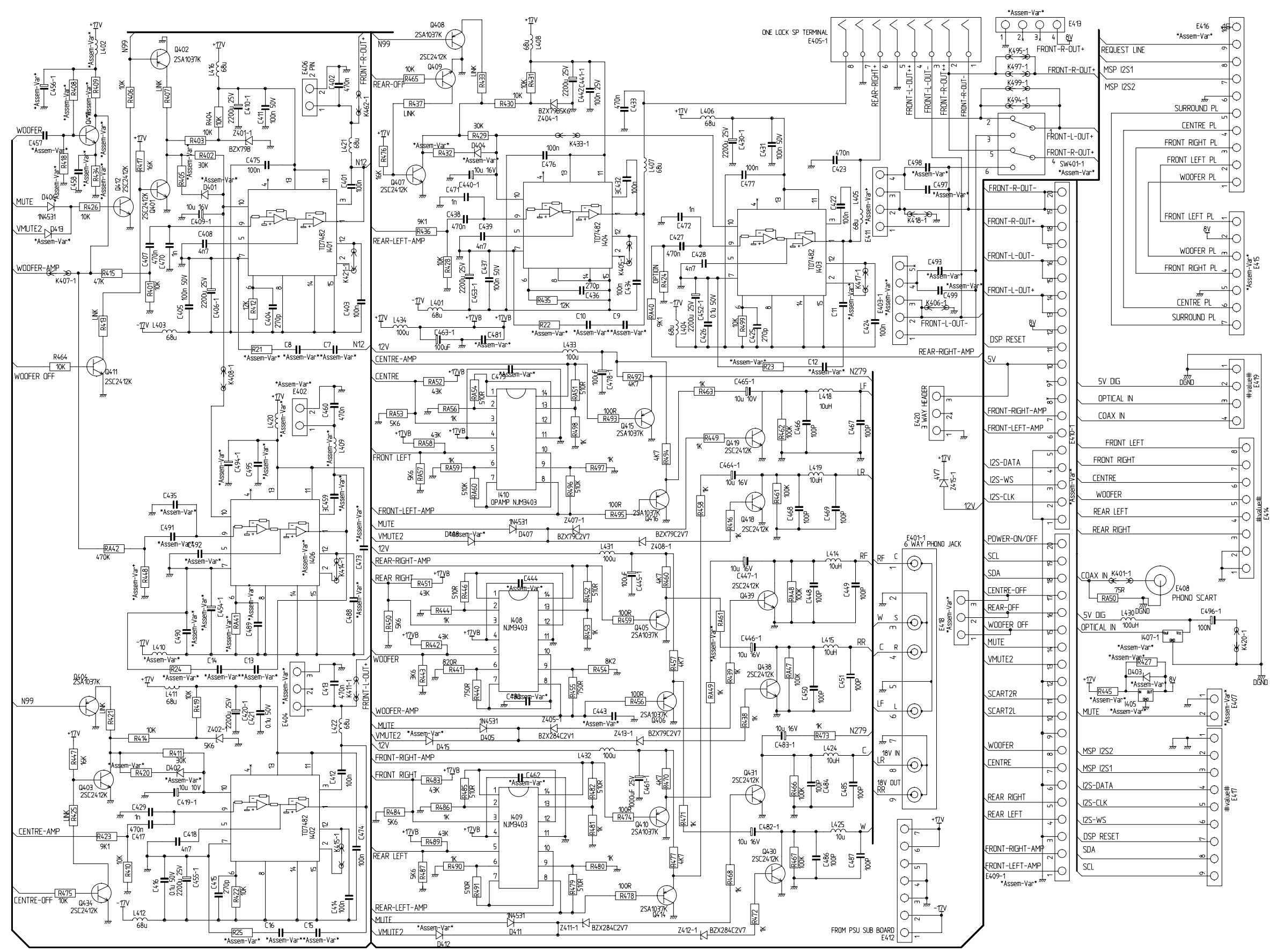
HITACHI



No 00025

MAIN BOARD SCHEMATIC (3 of 3)

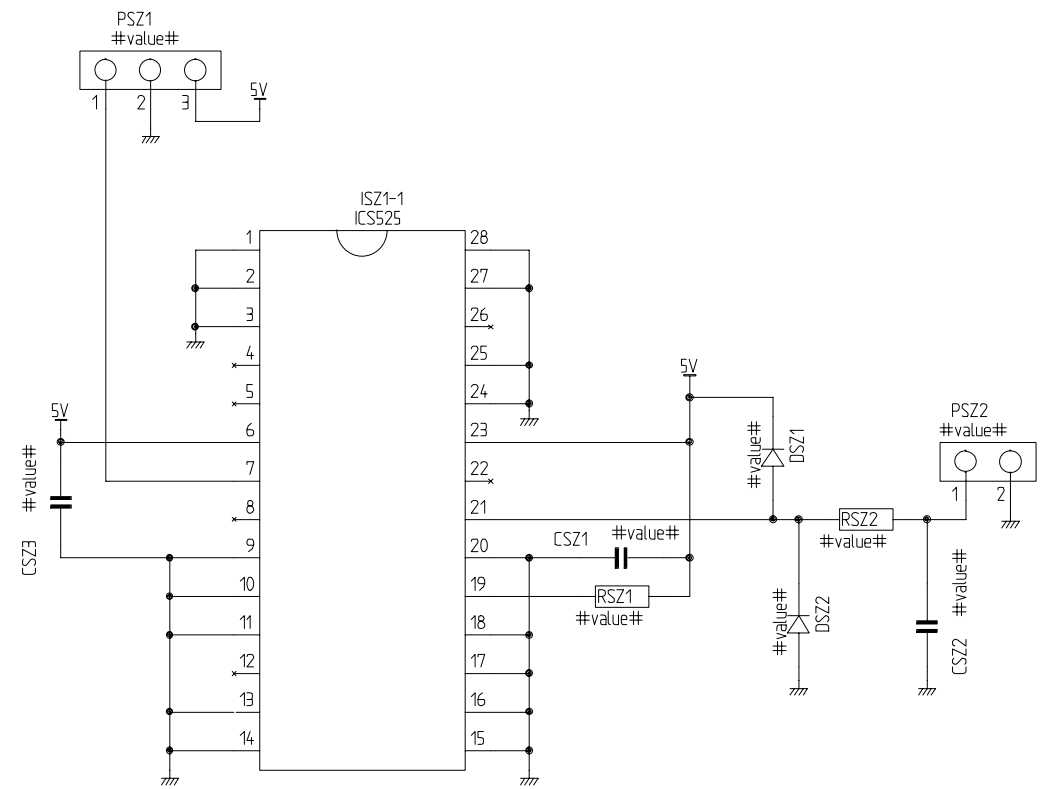
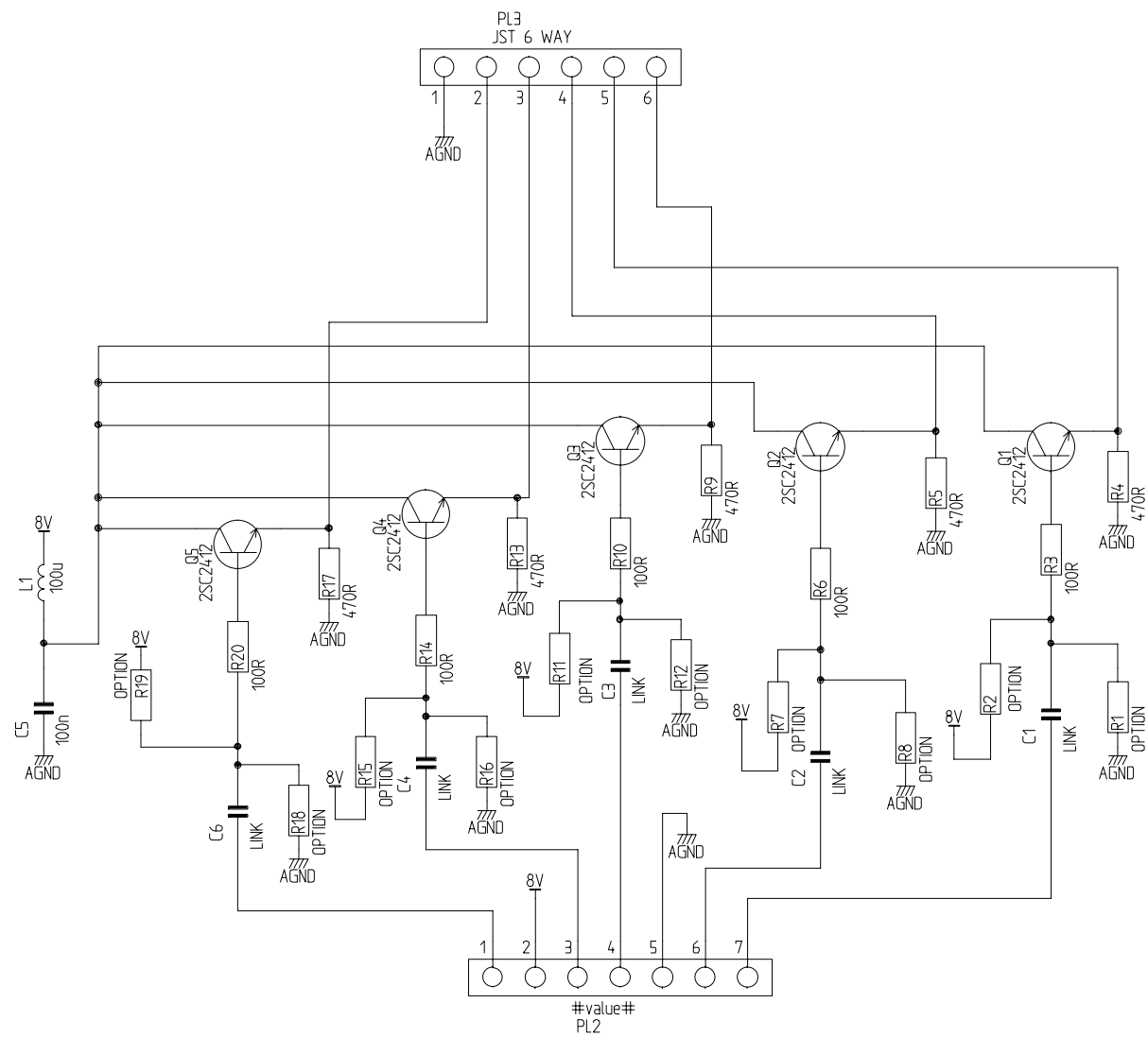
HITACHI



No 00025

AUDIO AMP SCHEMATIC (1 OF 2)

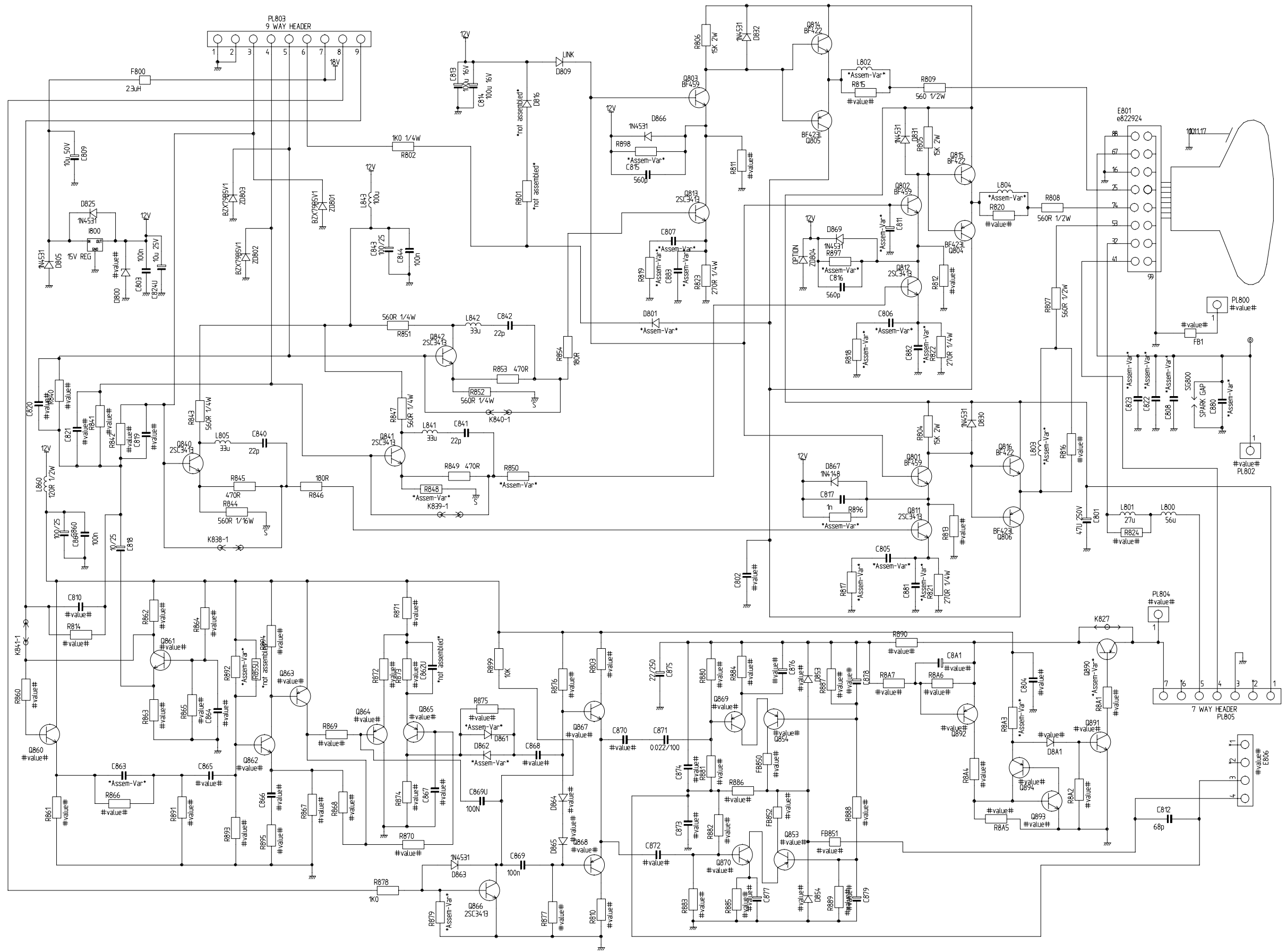




No 00025

AUDIO AMP SCHEMATIC (2 OF 2)

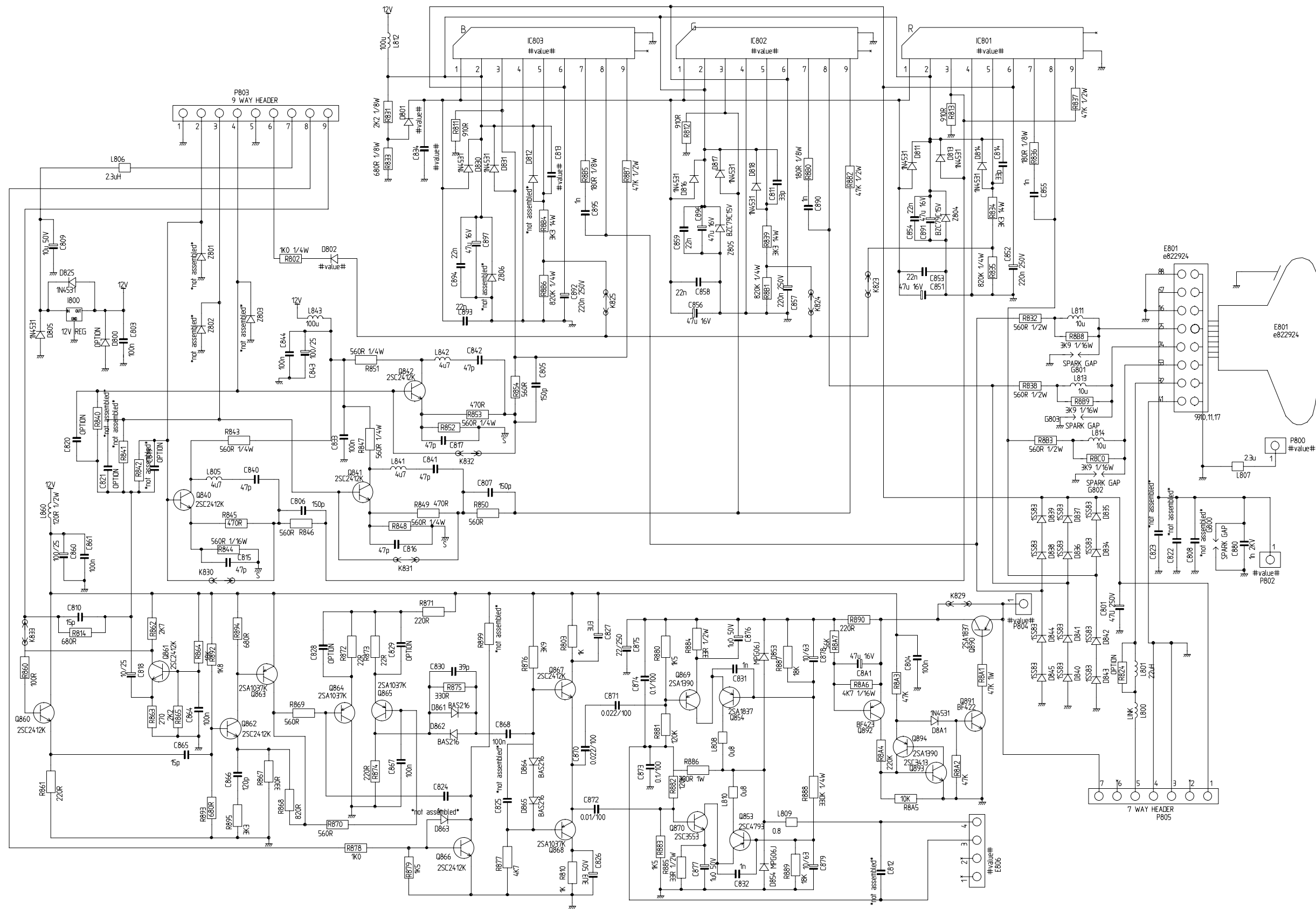
HITACHI



No 00025

CRT SCHEMATIC

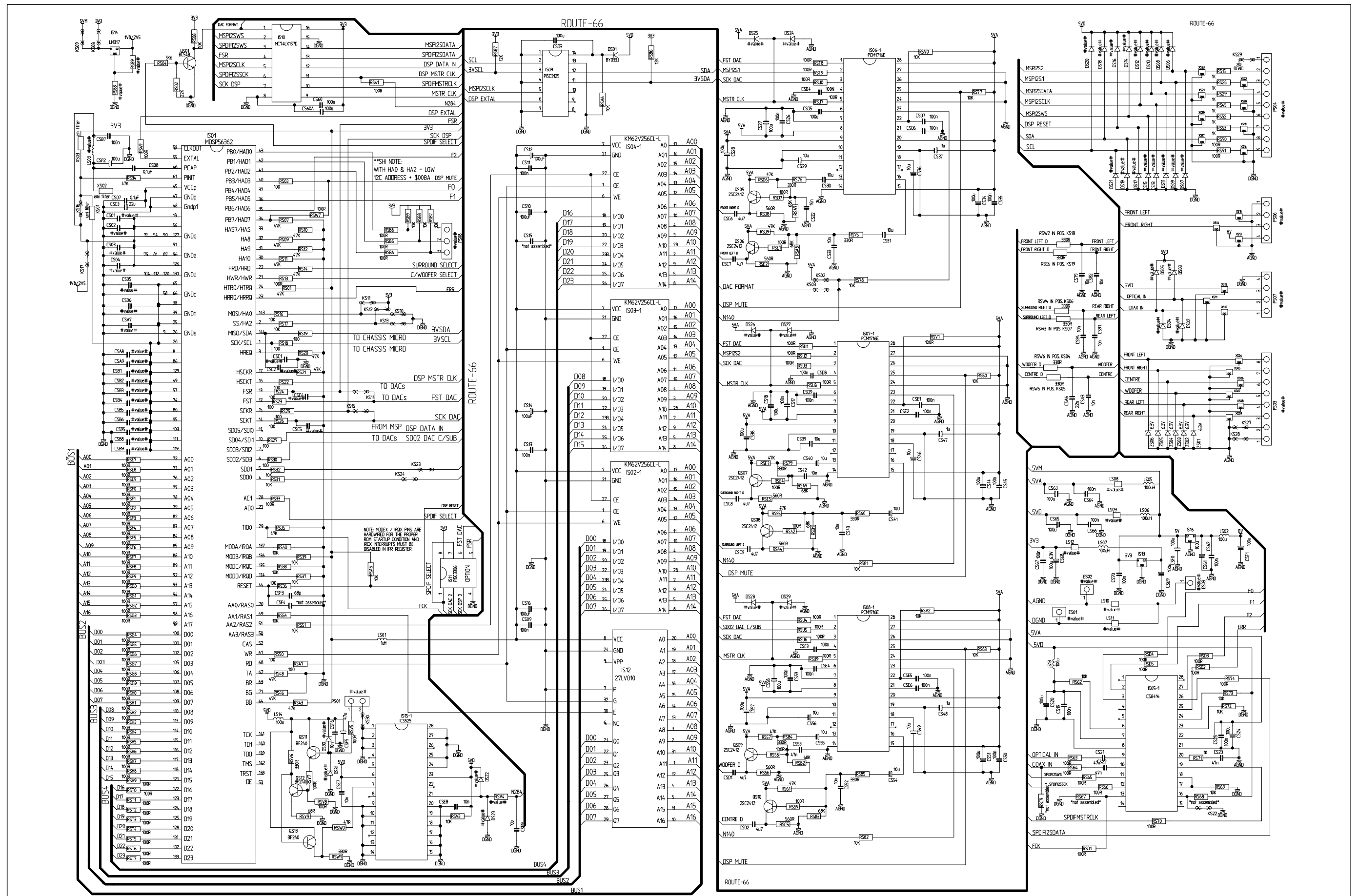
HITACHI



No 00025

CRT524 SCHEMATIC

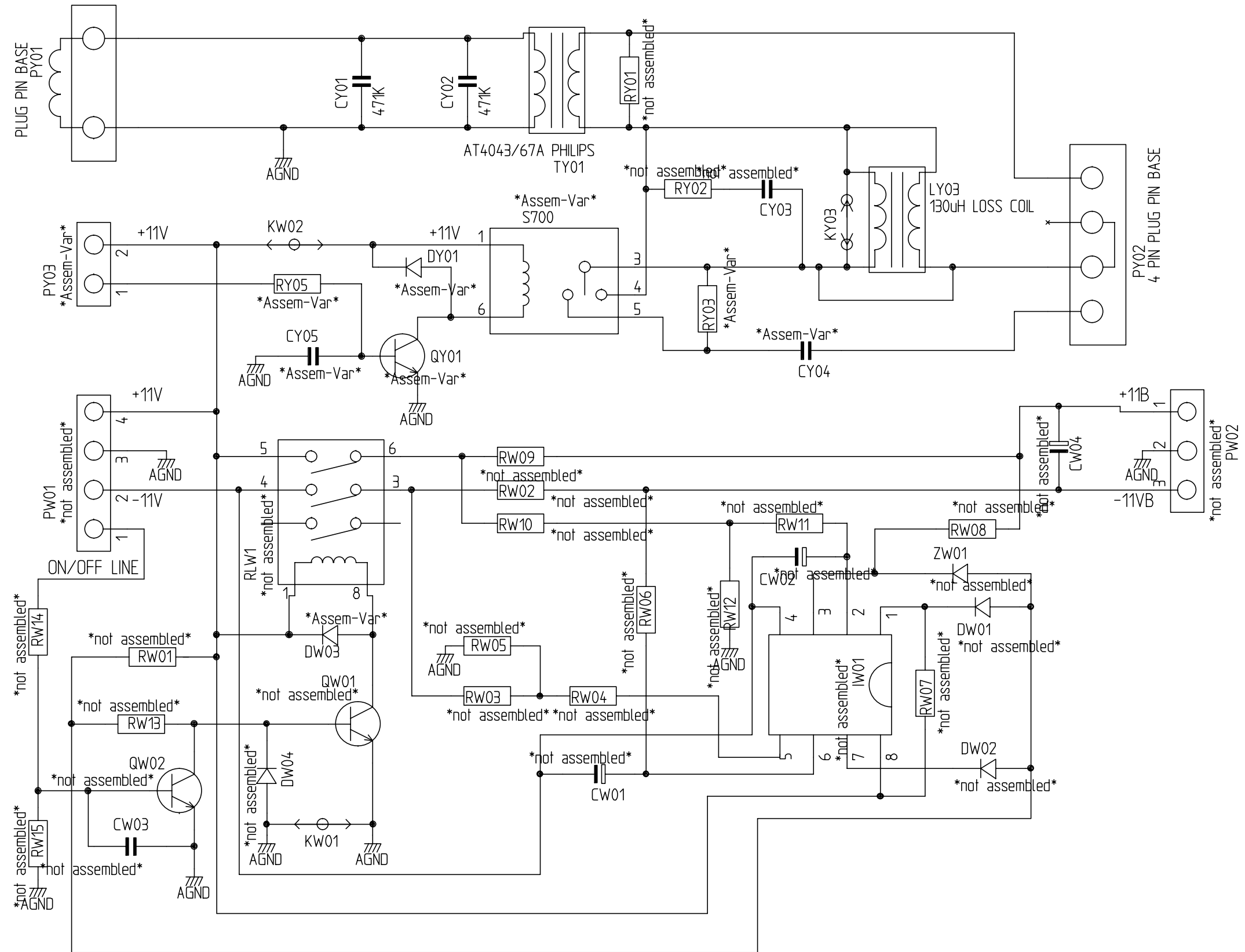
HITACHI



No 00025

DIGITAL DECODER

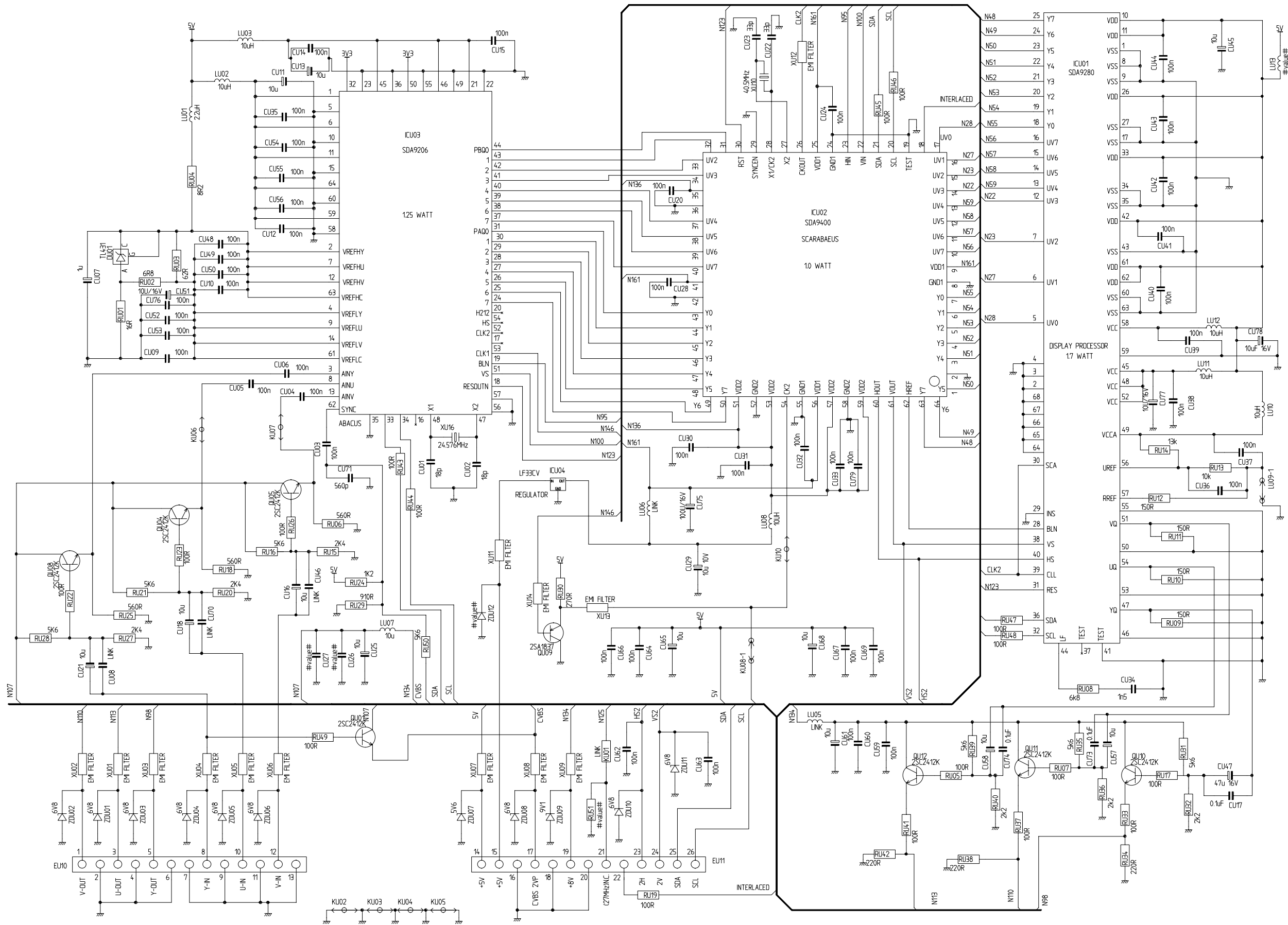
HITACHI



No 00025

FOCUS ASSY SCHEMATIC

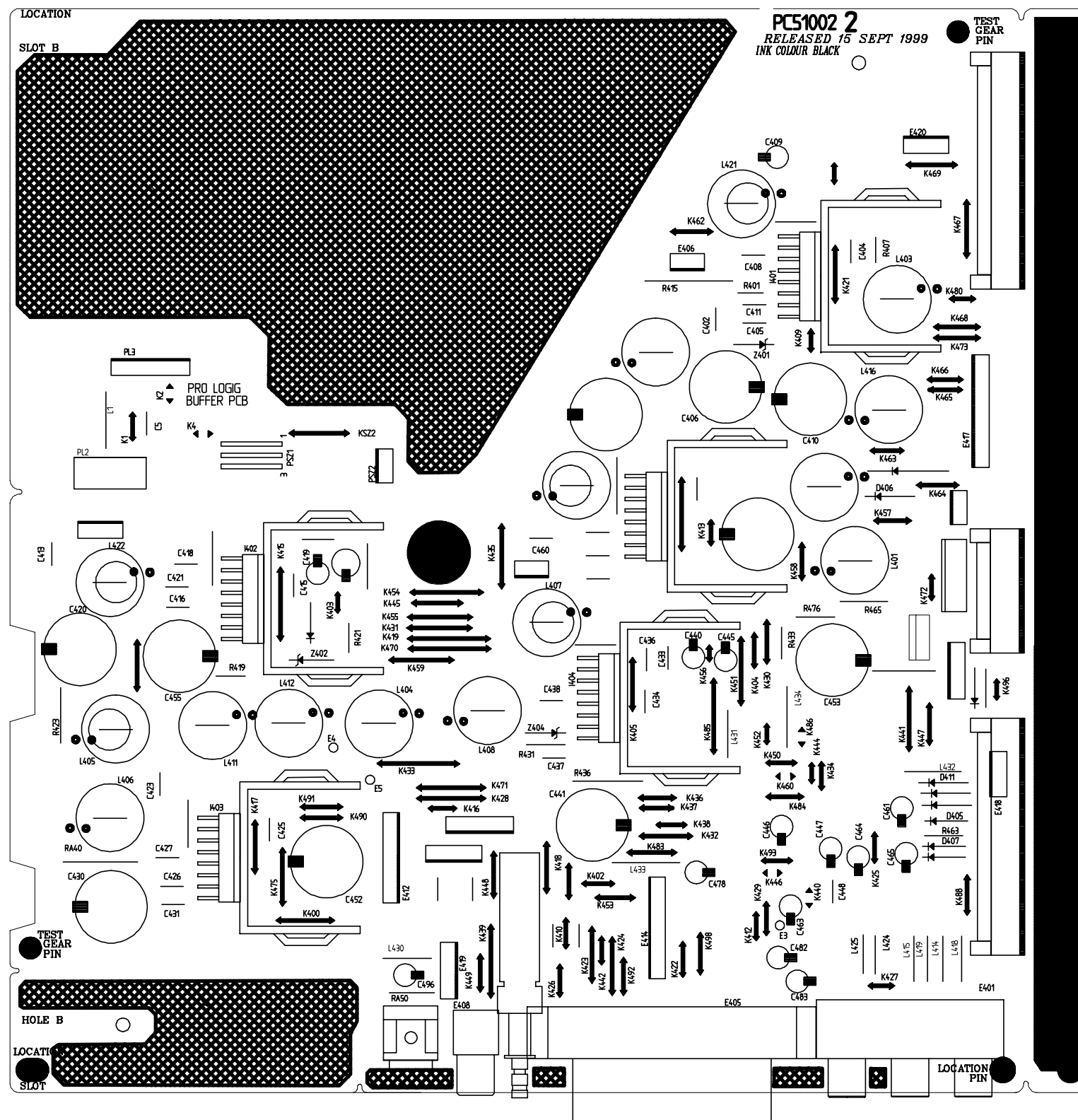
HITACHI



No 00025

FEATURE BOX SCHEMATIC

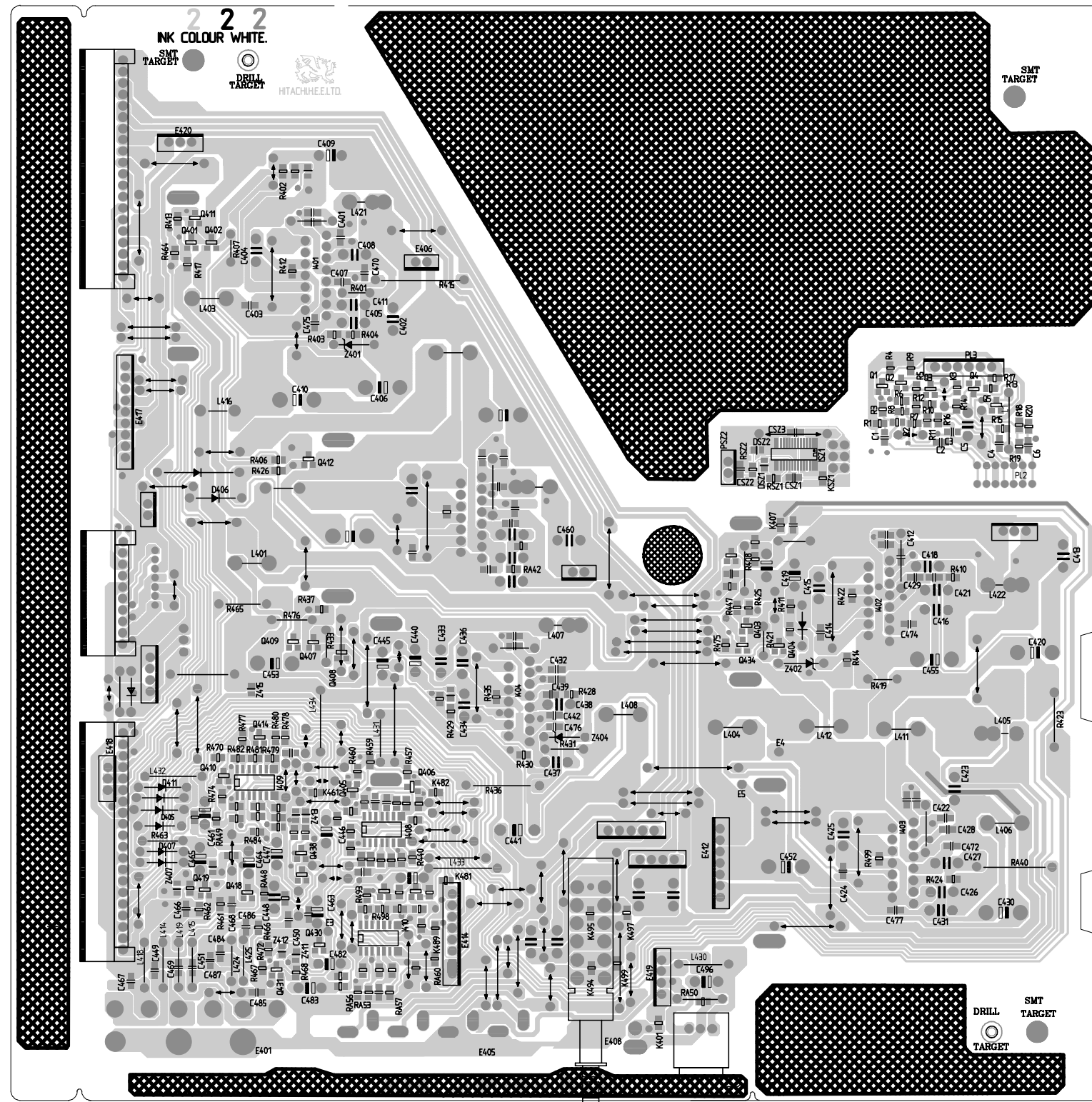
HITACHI



No 00025

AUDIO AMP (COMPONENT SIDE)

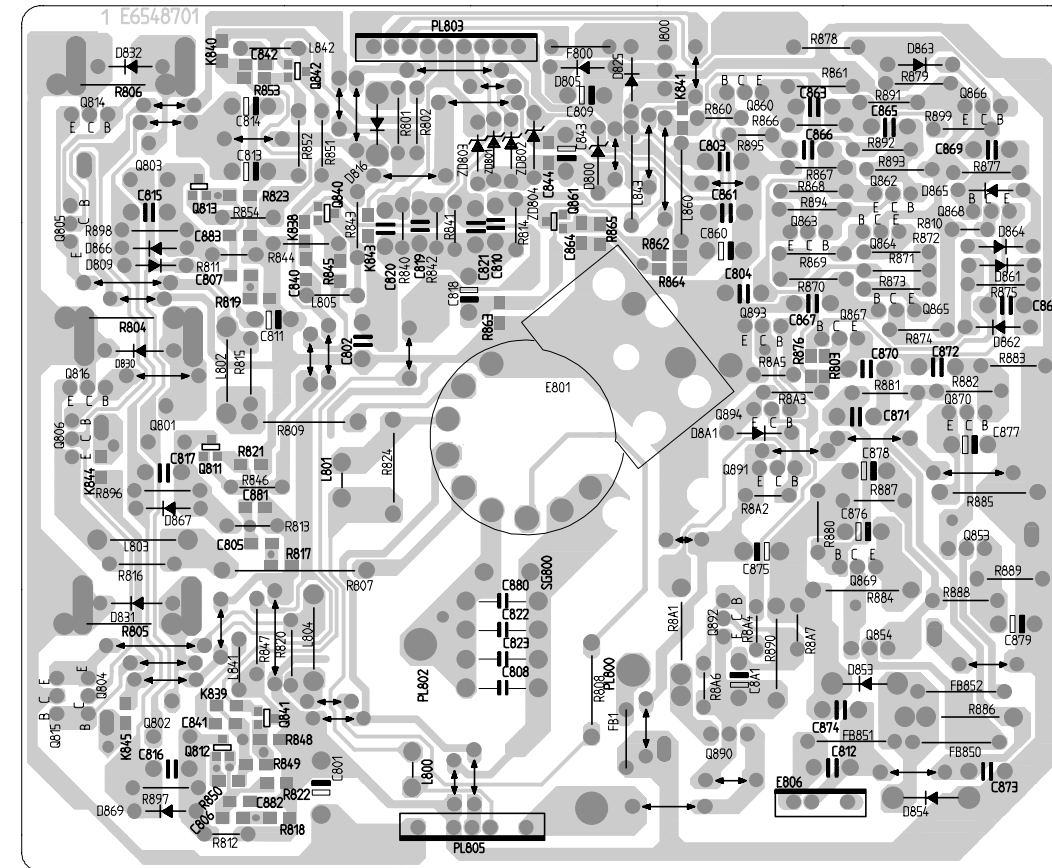
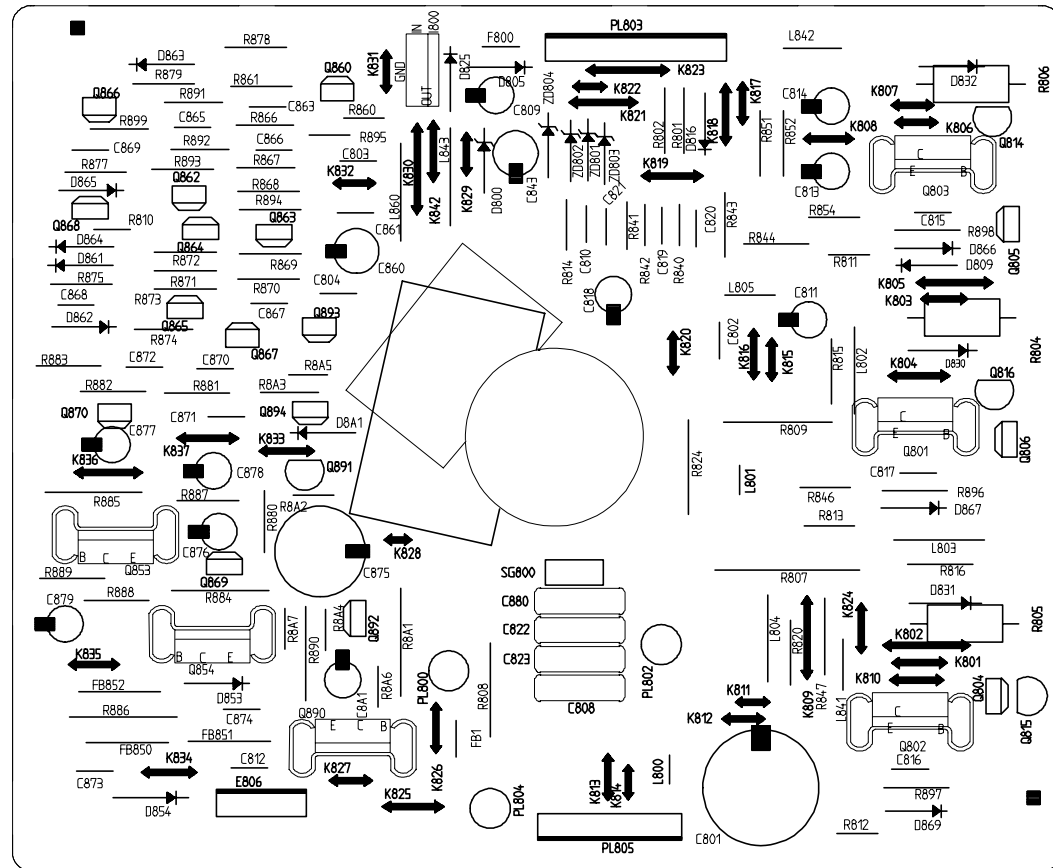
HITACHI



No 00025

AUDIO AMP (SOLDER SIDE)

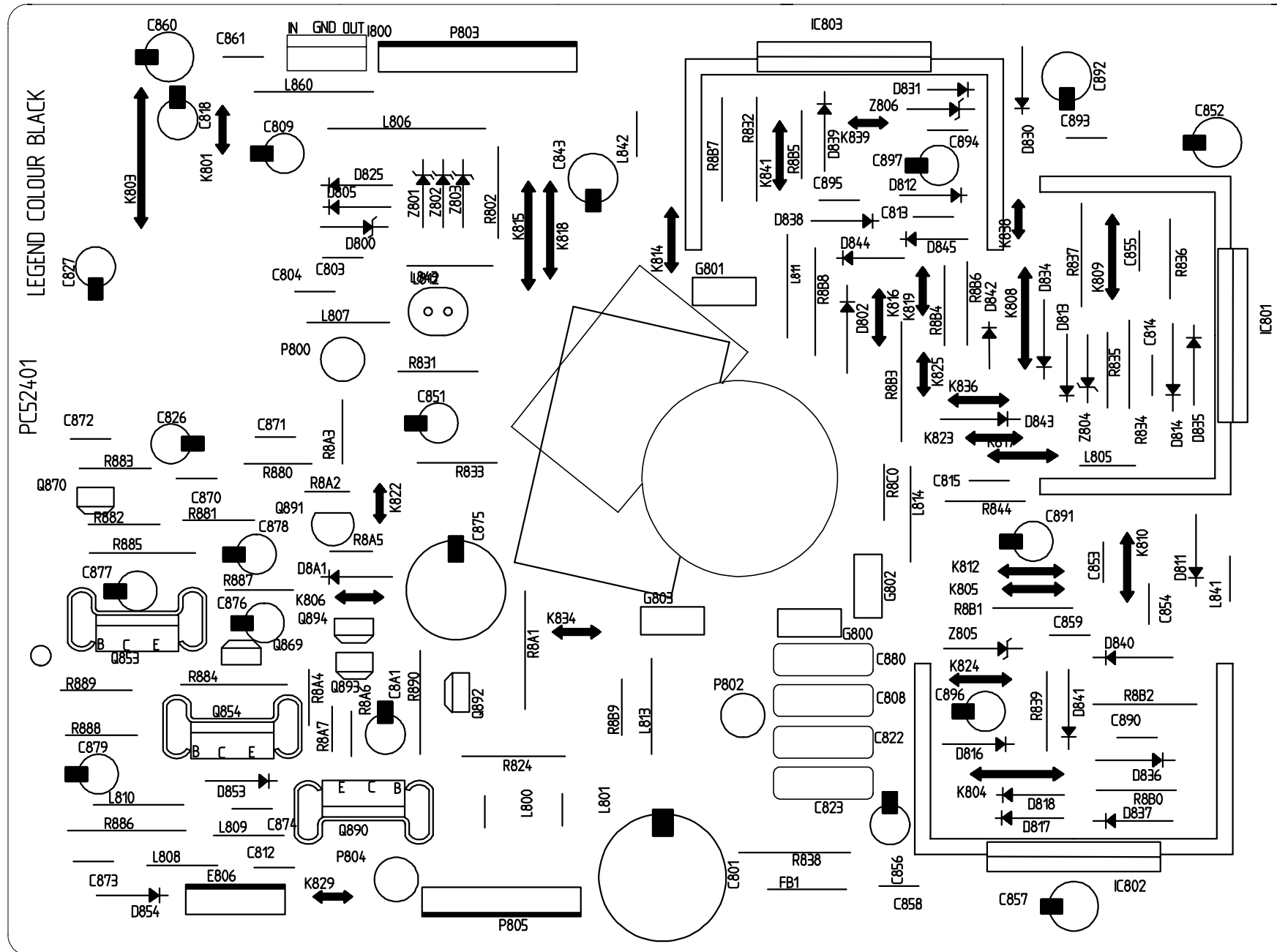
HITACHI



No 00025

CRT 6548

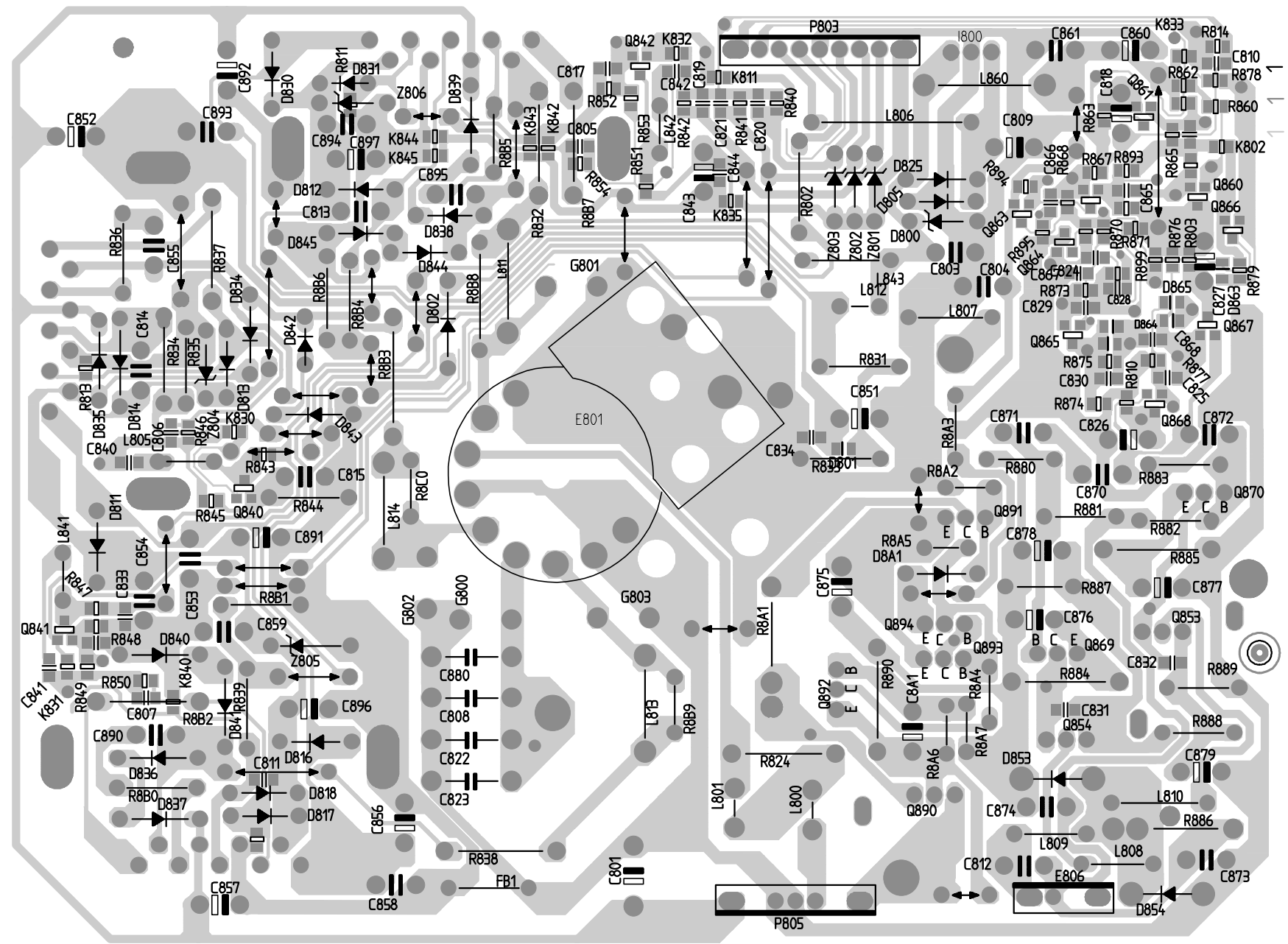
HITACHI



No 00025

CRT 524 (COMPONENT SIDE)

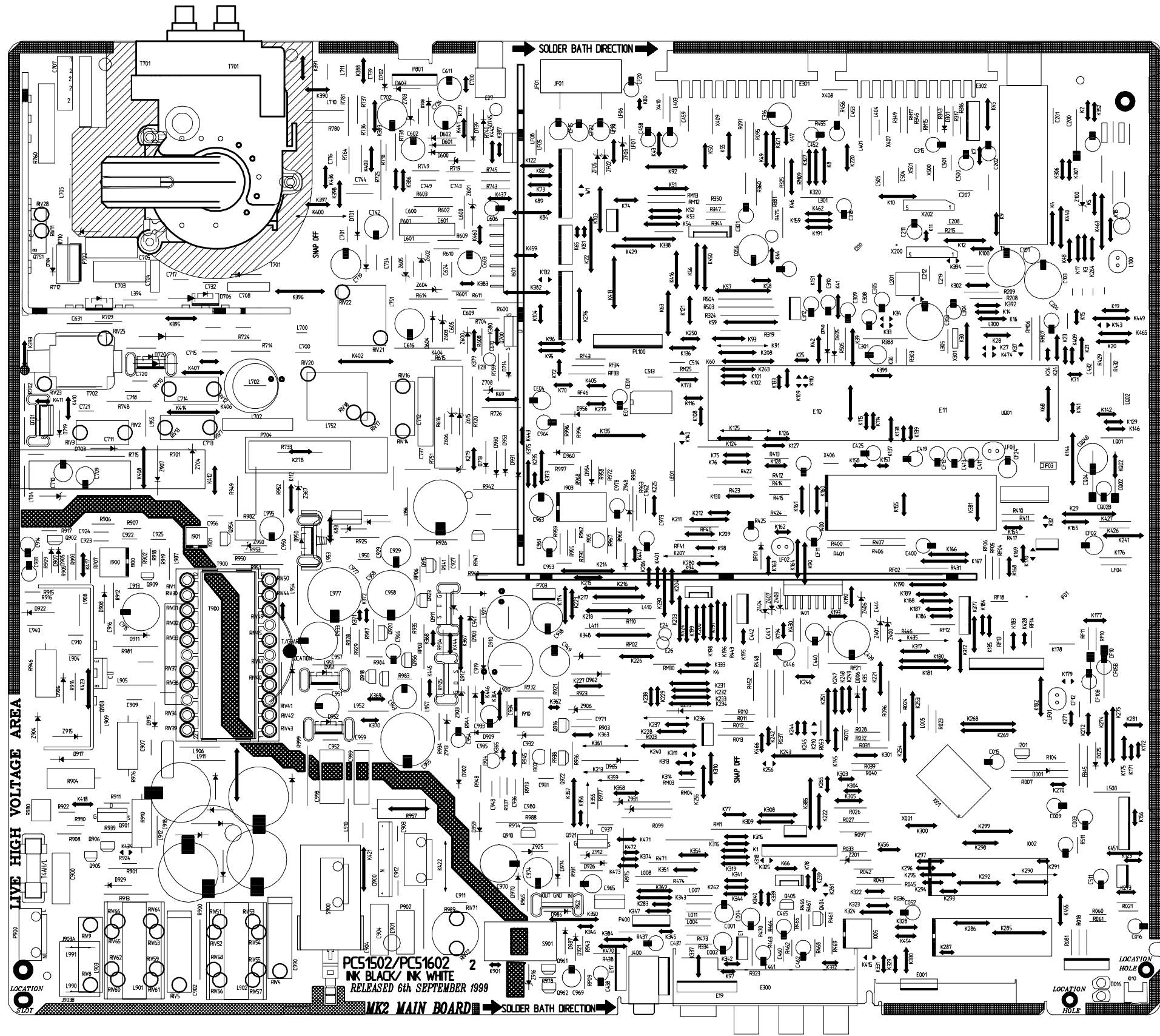
HITACHI



No 00025

CRT 524 (SOLDER SIDE)

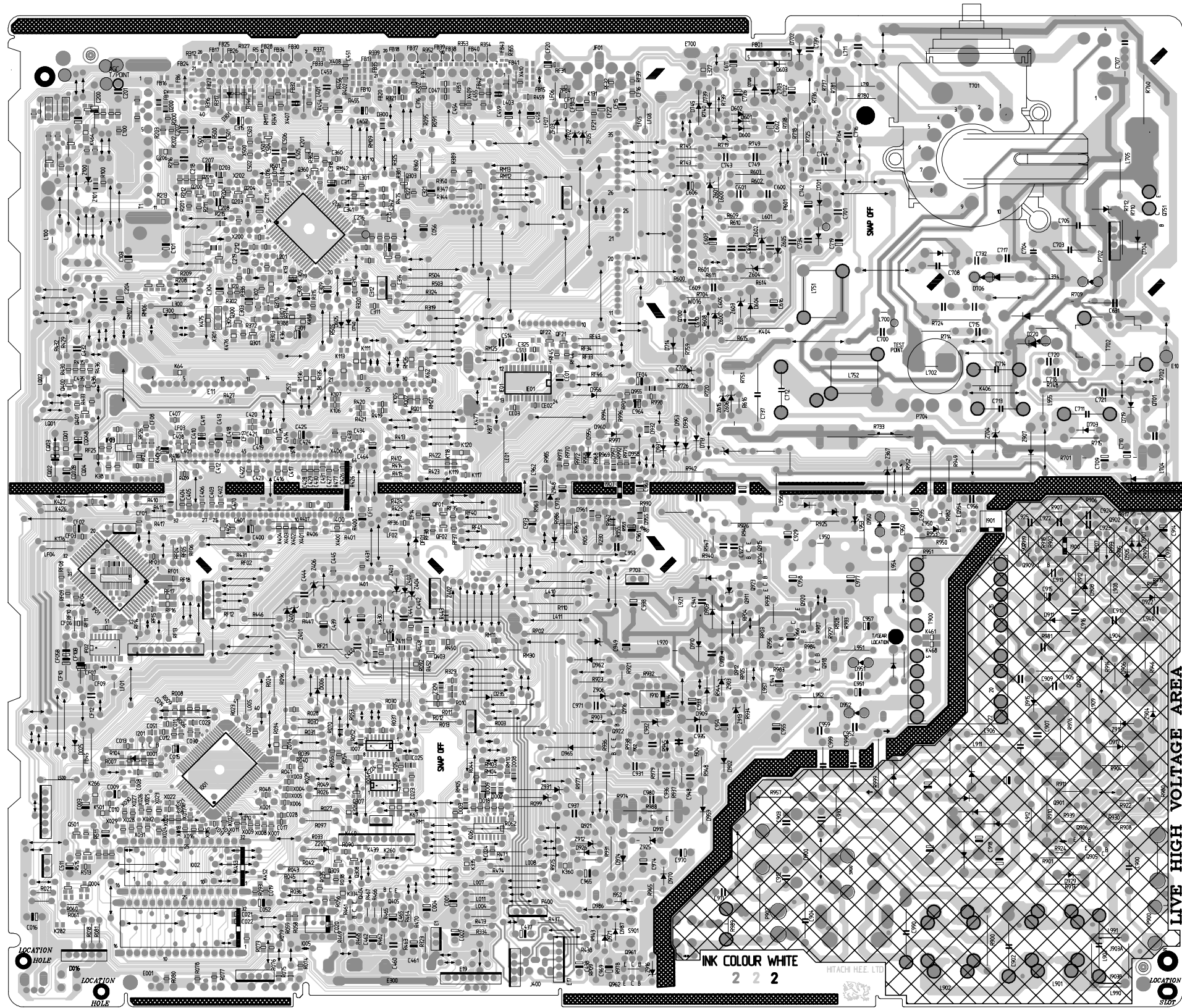
HITACHI



No 00025

MAIN BOARD (COMPONENT SIDE)

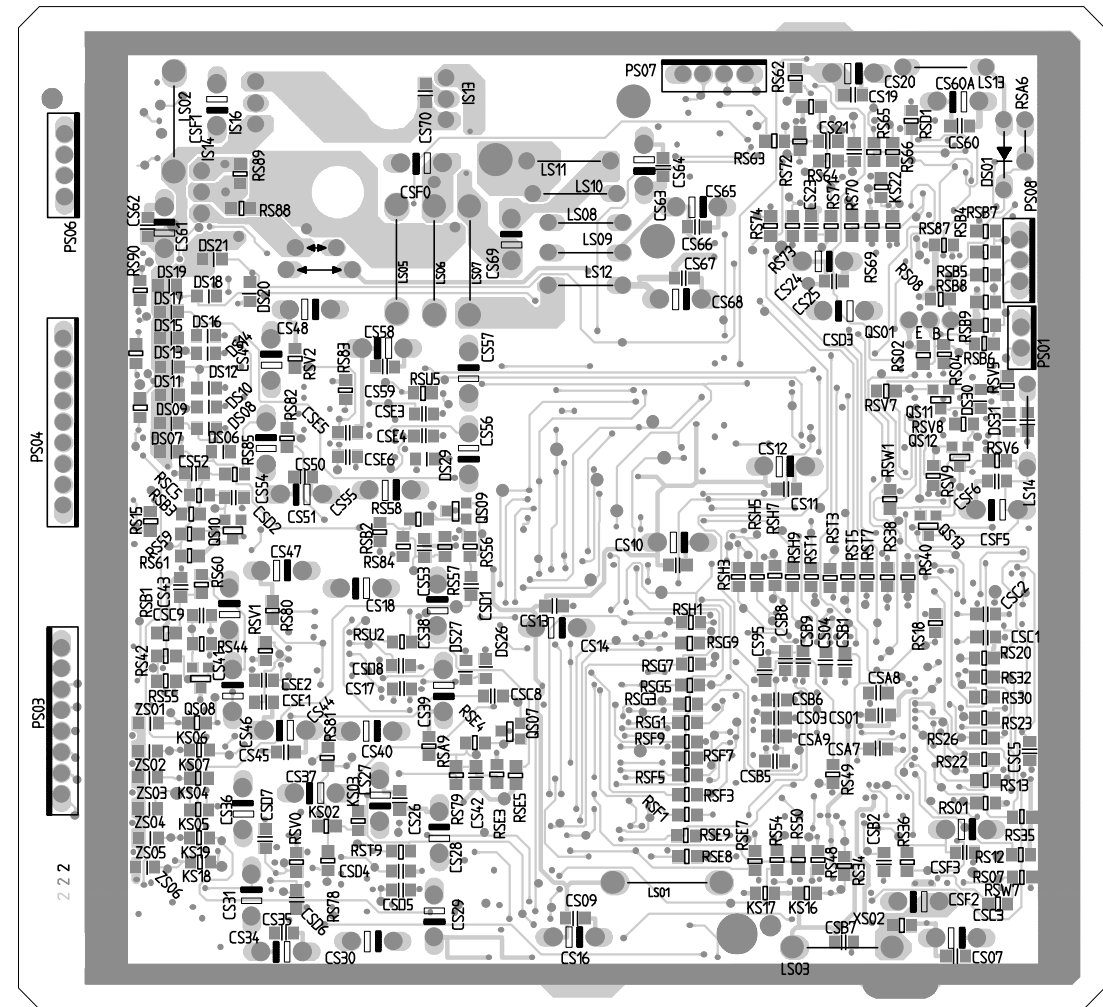
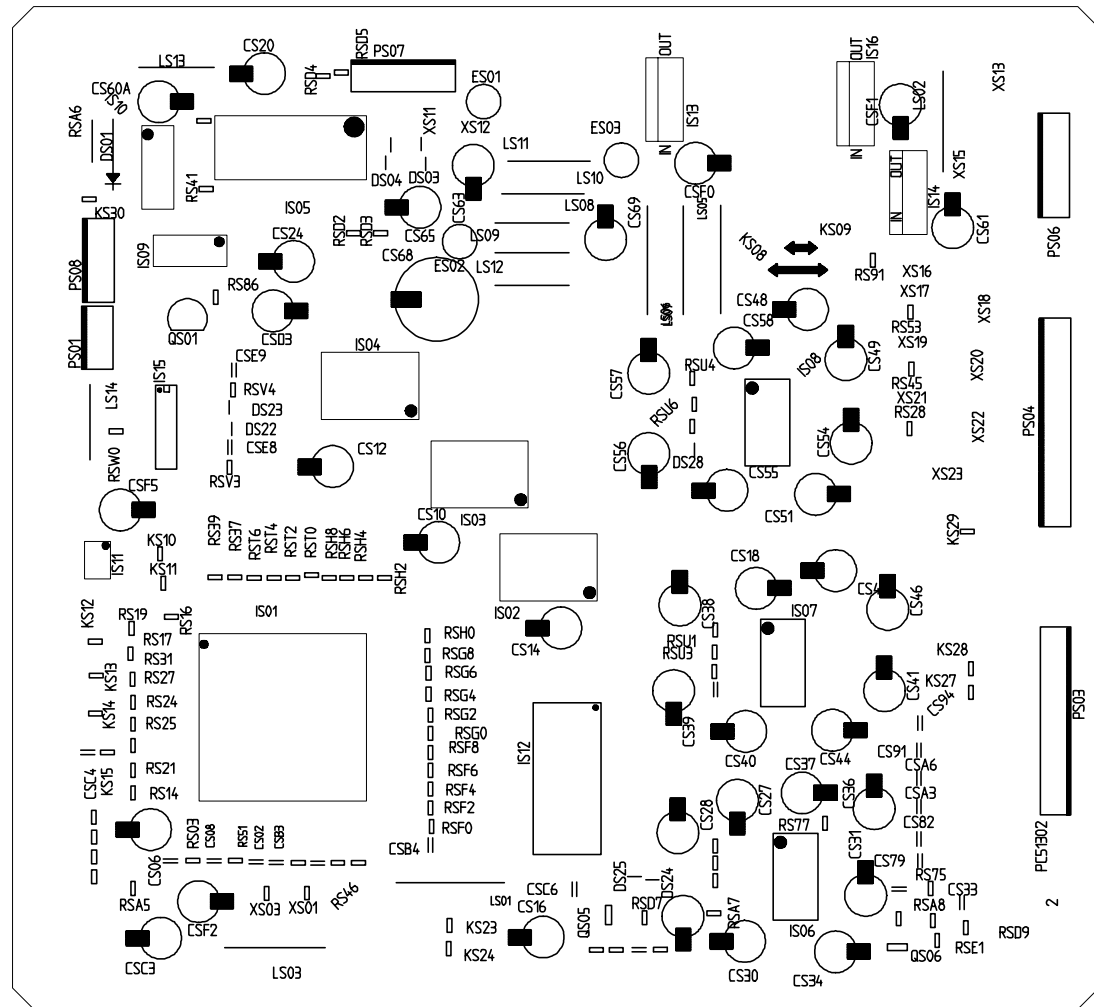
HITACHI



No 00025

MAIN BOARD (SOLDER SIDE)

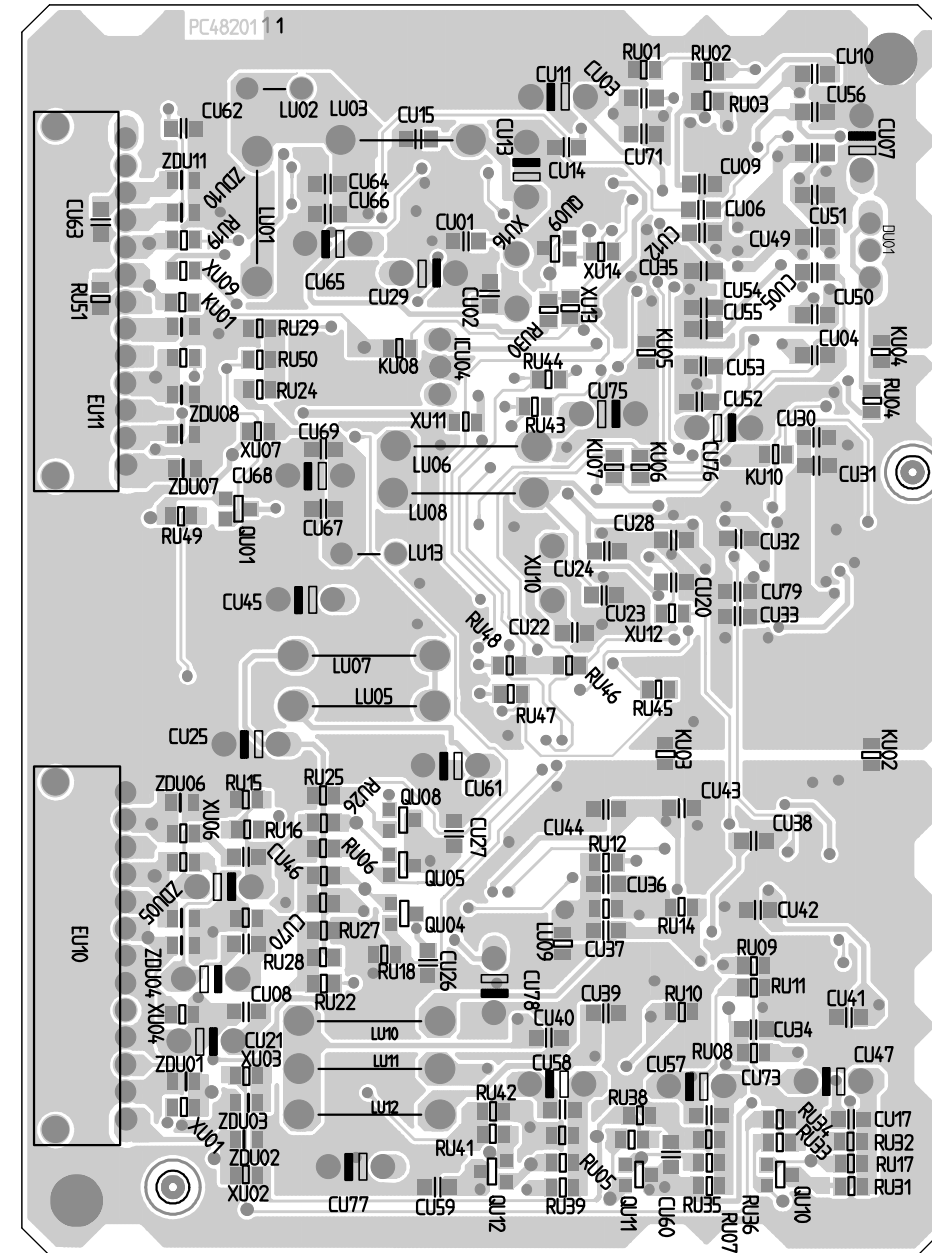
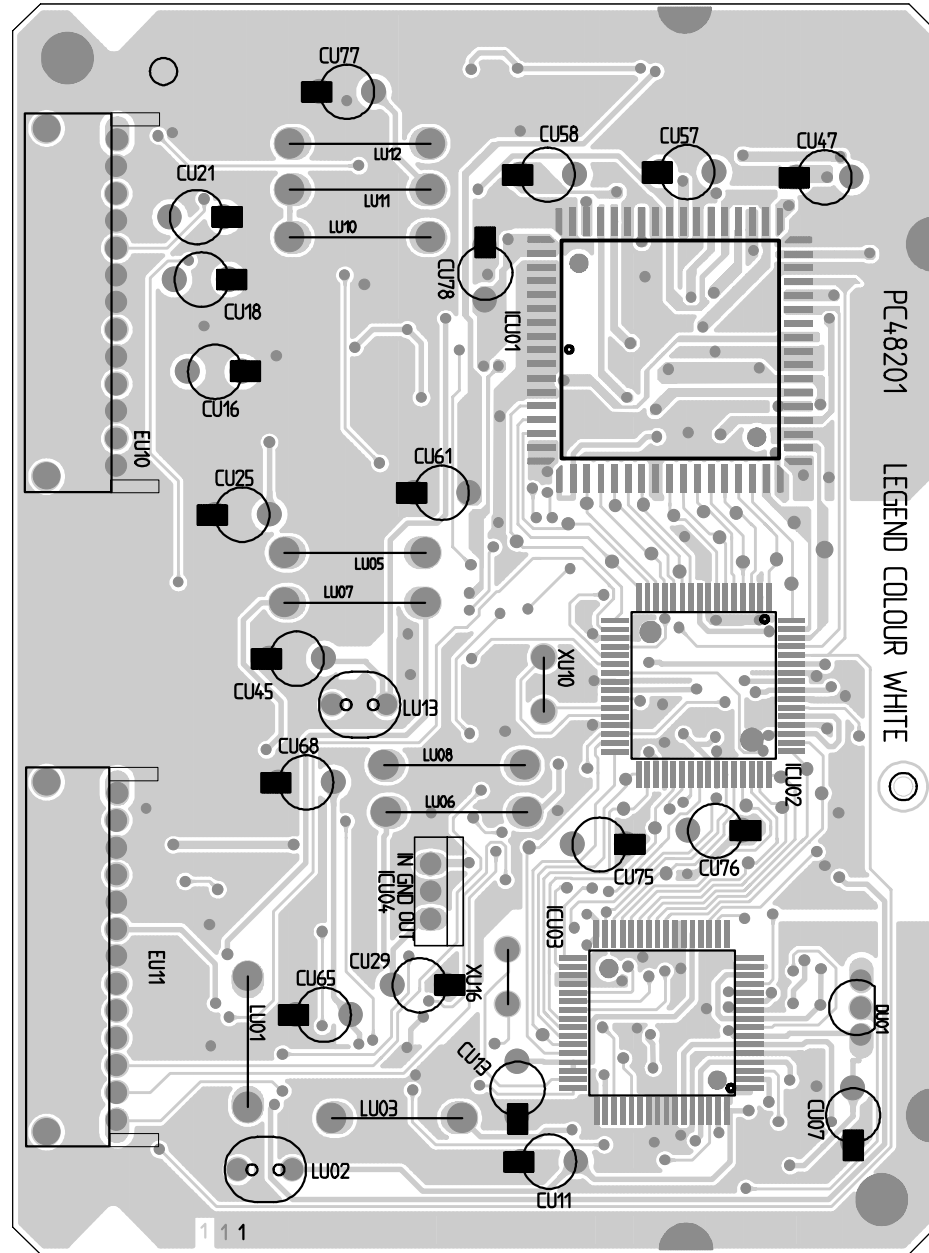
HITACHI



No 00025

DIGITAL DECODER

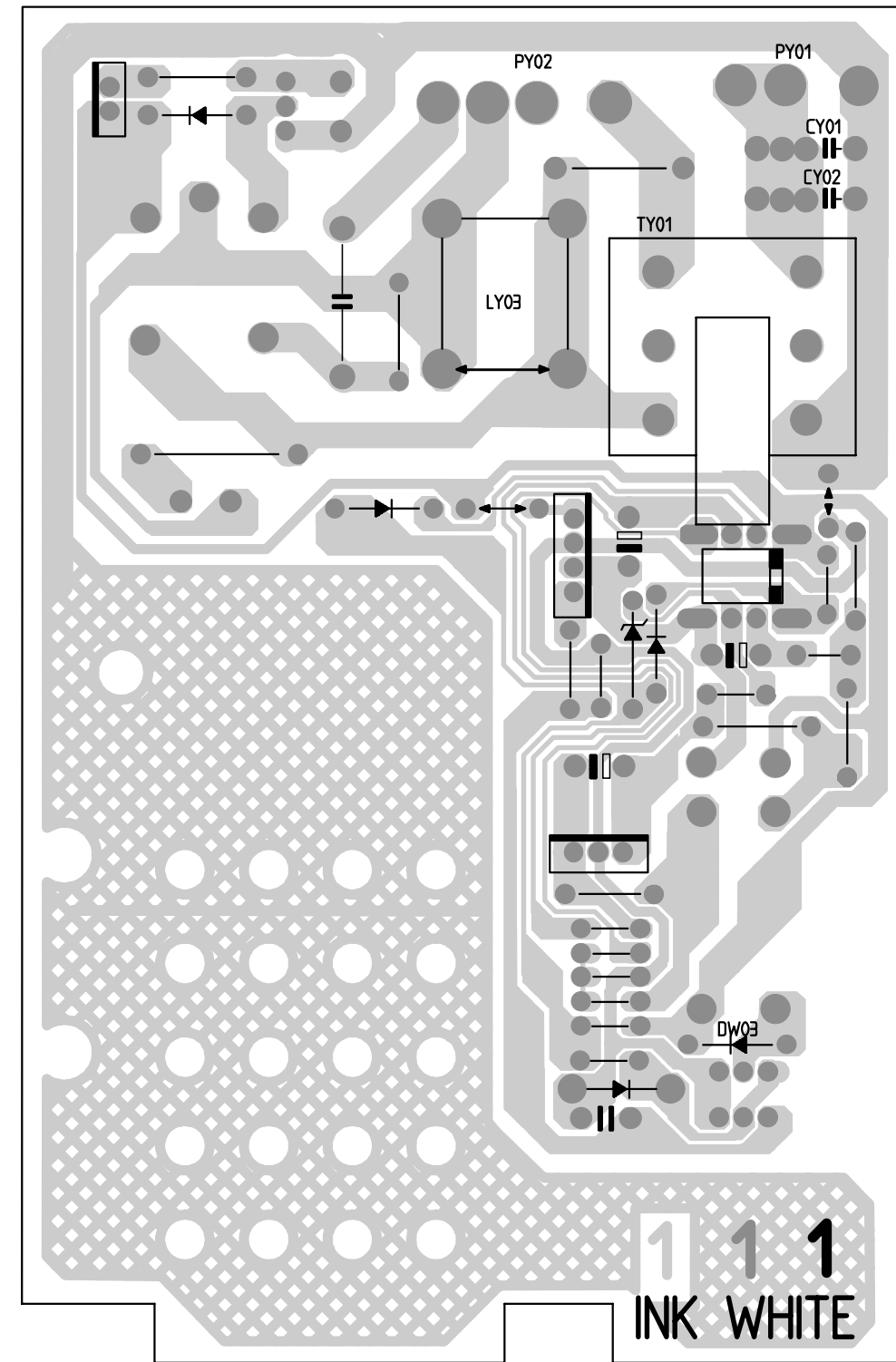
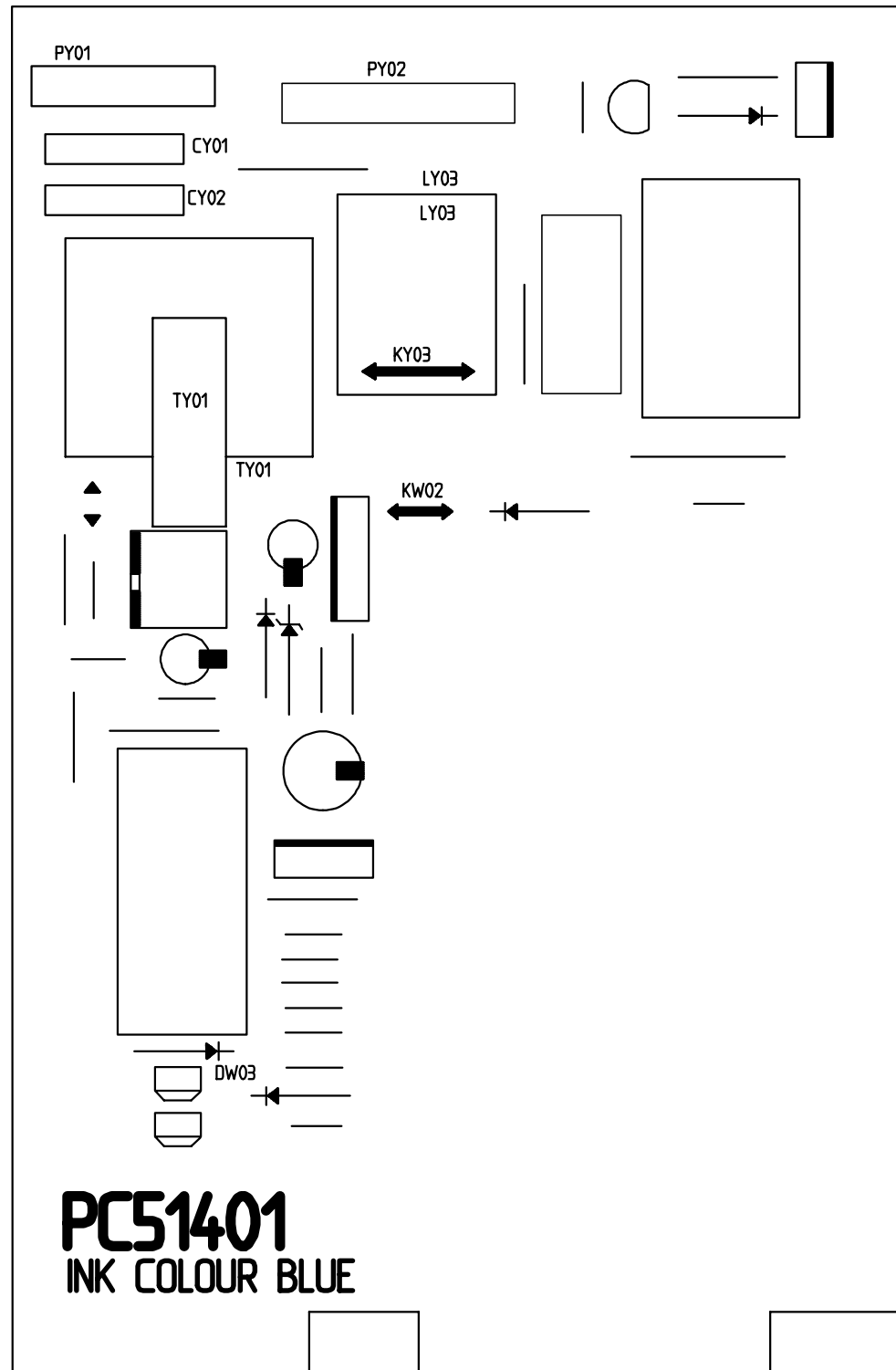
HITACHI



No 00025

FEATURE BOX





No 00025

FOCUS ASSEMBLY

HITACHI

HITACHI

 Hitachi, Ltd. Tokyo, Japan

International Sales Division
THE HITACHI ATAGO BUILDING,
No. 15 –12 Nishi Shinbashi, 2 – Chome,
Minato – Ku, Tokyo 105-8430, Japan.
Tel: 03 35022111

HITACHI HOME ELECTRONICS (EUROPE) LTD.

Dukes Meadow
Millboard Road
Bourne End
Buckinghamshire
SL8 5XF

UNITED KINGDOM

Tel: 01628 643000
Fax: 01628 643400

Email: consumer-service@hitachi-eu.com

HITACHI HOME ELECTRONICS (HELLAS) S. A.

Faliroy 91
11741
Athens

GREECE

Tel: 01-9242620
Fax: 01-9240789

Email: dimitra.vlachou@hitachi-eu.com

HITACHI SALES EUROPA GmbH.

Am Seesterns 18
40547 Dusseldorf

GERMANY

Tel: 02 11 – 5 29 15 – 0
Fax: 02 11 – 5 29 15 – 190

Email: HSE-DUS.Service@Hitachi-eu.com

HITACHI SALES IBERICA, S. A

Gran Via Carlos III., 101 - 1
08028 Barcelona

SPAIN

Tel: 093 409 2550
Fax: 093 491 3513

Email: rplan@hitachi-eu.com

HITACHI SALES ITALIANA SPA

Via Gulli n.39
20147 MILAN

ITALY

Tel: 02 38073415
Fax: 02 48786381/2

Email: customerservice.italy@hitachi-eu.com

HITACHI HOME ELECTRONICS (NORDIC) AB

Box 77
S-164 94 KISTA

SWEDEN

Tel: 08 562 711 00
Fax: 08 562 711 11

Email: csgswe@hitachi-eu.com

HITACHI FRANCE S.A.

BP 45, 69671 Bron Cedex
FRANCE

Tel: 04 -72.14.29.70
Fax: 04 -72.14.29.99

Email: conso-hitachi@compuserve.com

HITACHI HOME ELECTRONICS

NORWAY

Brugata 14
N-0186
OSLO

NORWAY

Tel: 02205 9060
Fax: 02205 9061

Email: csgnor@hitachi-eu.com

ITEM N.V./S.A. (INTERNATIONAL TRADE FOR ELECTRONIC MATERIAL & MEDIA N.V./S.A)

UCO Tower – Bellevue,
17 – B – 9050 GENT

BELGIUM (for BENELUX)

Tel: 02 9 230 4801
Fax: 02 9 230 9680

Email: hitachi.item@skynet.be

SM 00025
DECEMBER 1999